



BRAKE DISC

08.7042.10

The **08.7042.10** brake disc is synonymous with reliability

The Brembo brake disc is fully interchangeable with an Original Equipment brake disc. The control of the entire production cycle allows Brembo to offer brake discs with outstanding performance levels, reliability, durability and comfort in all conditions of use. All Brembo brake discs are accompanied by the ECE-R90 homologation.

- ✓ OE-equivalent
- ✓ Brembo quality
- ✓ ECE-R90 certificate
- ✓ Safety



Technical specifications



EAN code
8020584704219

Axle
Rear

Diameter Ø
260 mm

Thickness (TH)
10 mm

Height (A)
41 mm

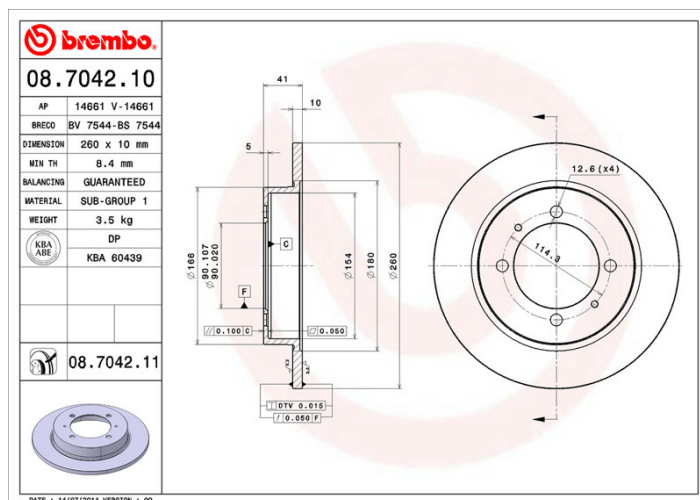
Number of holes (C)
4

Brake disc type
Solid

Centering (B)
90 mm

Min. thickness
8,4 mm

Tightening torque
108 Nm



COMPATIBLE VEHICLES

COMPATIBLE OE PART NUMBERS

MB699288	MITSUBISHI
-----------------	------------

MB699289	MITSUBISHI
-----------------	------------

MR249356	MITSUBISHI
-----------------	------------

MR913846	MITSUBISHI
-----------------	------------

PW820195	PROTON
-----------------	--------

PW820196	PROTON
-----------------	--------

3087294	VOLVO
----------------	-------

30872940	VOLVO
-----------------	-------

308729400	VOLVO
------------------	-------

308729409	VOLVO
------------------	-------