



# BRAKE DISC MAX

## 08.9975.76

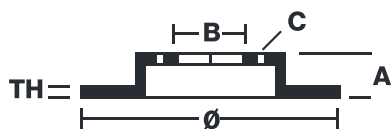
The 08.9975.76 Max brake disc is synonymous with reliability

The Brembo Max brake disc features grooves on the braking surface. The special shape of the grooves generates greater fading resistance and constant renewal of friction material, quickly restoring optimum braking conditions. The UV paint completes the sporty look.

- ✓ Brembo quality
- ✓ ECE-R90 certificate
- ✓ Performance
- ✓ Sports driving
- ✓ Sporty look
- ✓ Anti-corrosion



### Technical specifications



EAN code  
**8020584237939**

Axle  
**Rear**

Diameter Ø  
**280 mm**

Thickness (TH)  
**11 mm**

Height (A)  
**41 mm**

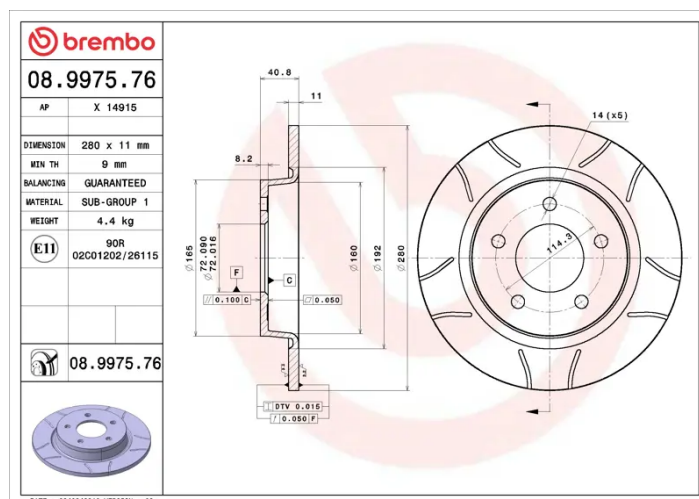
Number of holes (C)  
**5**

Brake disc type  
**Solid**

Centering (B)  
**72 mm**

Min. thickness  
**9 mm**

Tightening torque  
**103 Nm**



COMPATIBLE VEHICLES

## COMPATIBLE OE PART NUMBERS

BP6Y26251B	MAZDA
------------	-------

BP6Y26251C	MAZDA
------------	-------

BP6Y26251D	MAZDA
------------	-------

BP6Y26251E	MAZDA
------------	-------

C25Y26251A	MAZDA
------------	-------

C25Y26251B	MAZDA
------------	-------

C25Y26251C	MAZDA
------------	-------