



BRAKE DISC XTRA

08.A429.1X

The 08.A429.1X Xtra brake disc is synonymous with reliability

The Brembo Xtra brake disc features holes on the braking surface. The holes are designed to improve the cooling of the braking system, to generate greater fading resistance and grip in the initial stages of braking. The sports look is also enhanced by the presence of the UV paint.

- ✓ Brembo quality
- ✓ ECE-R90 certificate
- ✓ Performance
- ✓ Sports driving
- ✓ Sporty look
- ✓ Anti-corrosion



Technical specifications



EAN code
8020584322710

Axle
Rear

Diameter Ø
281 mm

Thickness (TH)
12 mm

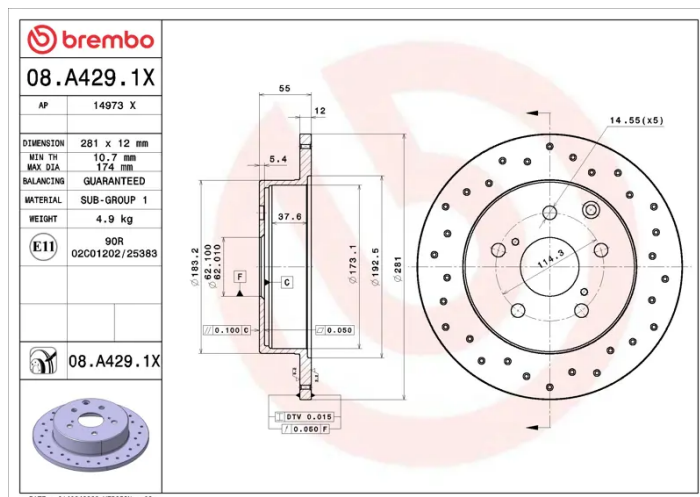
Height (A)
55 mm

Number of holes (C)
5

Brake disc type
Solid

Centering (B)
62 mm

Min. thickness
10,7 mm



COMPATIBLE VEHICLES

COMPATIBLE OE PART NUMBERS

424310R010	LEXUS
------------	-------

4243142060	LEXUS
------------	-------

424310R010	TOYOTA
------------	--------

4243142060	TOYOTA
------------	--------

424310R020	TOYOTA (FAW)
------------	--------------