



BRAKE DISC LIGHTWEIGHT

08.C983.23

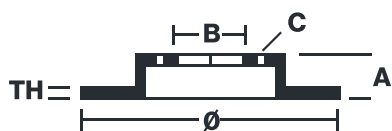
LightWeight brake disc 08.C983.23 belongs to Brembo Premium Line

The LightWeight brake disc solution is characterised by a high-carbon cast iron braking surface connected by pressure to the steel hat. It is up to 15% lighter than an equivalent integral disc. As a result, it significantly improves the road behaviour of the vehicle and reduces fuel consumption and emissions as well.



- ✓ OE-equivalent
- ✓ Brembo quality
- ✓ ECE-R90 certificate
- ✓ Weight reduction
- ✓ Bi-Material Brake Disc
- ✓ Anti-corrosion
- ✓ Fading resistance

Technical specifications



EAN code
8020584315972

Axle
Rear

Diameter Ø
300 mm

Thickness (TH)
10 mm

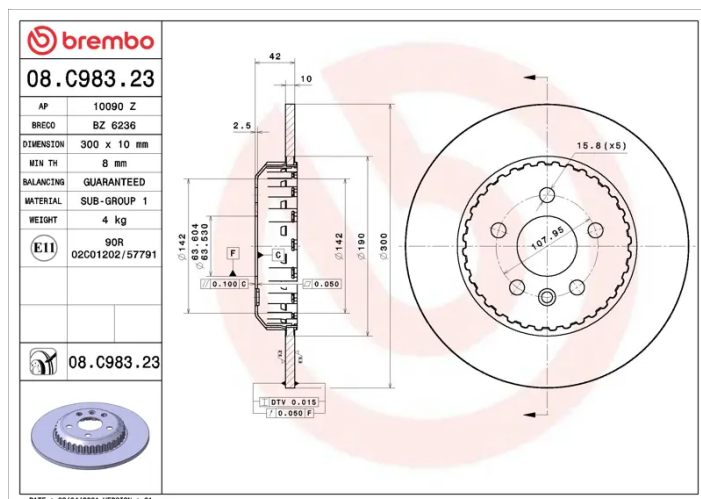
Height (A)
42 mm

Number of holes (C)
5

Brake disc type
Solid

Centering (B)
64 mm

Min. thickness
8 mm



COMPATIBLE VEHICLES

COMPATIBLE OE PART NUMBERS

LR114560 LAND ROVER

LR161918 LAND ROVER
