



BRAKE DISC

09.7196.14

The **09.7196.14** brake disc is synonymous with reliability

The Brembo brake disc is fully interchangeable with an Original Equipment brake disc. The control of the entire production cycle allows Brembo to offer brake discs with outstanding performance levels, reliability, durability and comfort in all conditions of use. All Brembo brake discs are accompanied by the ECE-R90 homologation.

- ✓ OE-equivalent
- ✓ Brembo quality
- ✓ ECE-R90 certificate
- ✓ Safety
- ✓ High carbon



Technical specifications



EAN code **8020584013267** Axle **Front and rear**

Thickness (TH) **22 mm** Height (A) **46 mm**

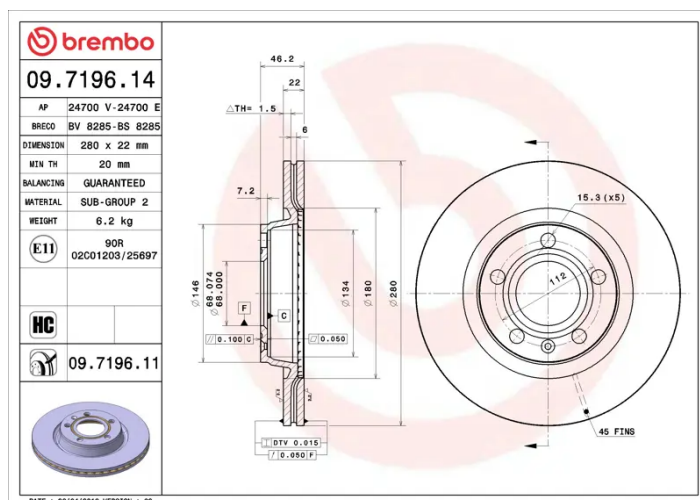
Brake disc type **Ventilated** Centering (B) **68 mm**

Tightening torque **120 Nm**

Diameter Ø **280 mm**

Number of holes (C) **5**

Min. thickness **20 mm**



COMPATIBLE VEHICLES

COMPATIBLE OE PART NUMBERS

8E0615301B	AUDI
------------	------

8E0615301D	AUDI
------------	------

8E0615301P	AUDI
------------	------

8E0615301P	SEAT
------------	------

8E0615301B	VW
------------	----

8E0615301D	VW
------------	----

8E0615301P	VW
------------	----

JZW615301Q	VW
------------	----