



# BRAKE DISC

## 09.7933.10

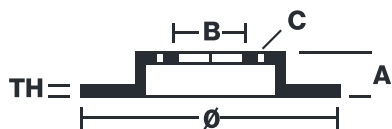
The **09.7933.10** brake disc is synonymous with reliability

The Brembo brake disc is fully interchangeable with an Original Equipment brake disc. The control of the entire production cycle allows Brembo to offer brake discs with outstanding performance levels, reliability, durability and comfort in all conditions of use. All Brembo brake discs are accompanied by the ECE-R90 homologation.

- ✓ OE-equivalent
- ✓ Brembo quality
- ✓ ECE-R90 certificate
- ✓ Safety
- ✓ PVT ventilation



### Technical specifications



EAN code  
**8020584793312**

Axle  
**Front**

Diameter Ø  
**280** mm

Thickness (TH)  
**26** mm

Height (A)  
**49** mm

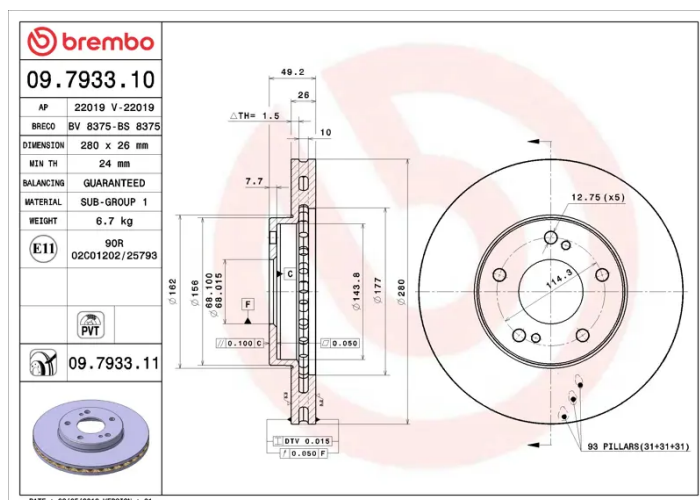
Number of holes (C)  
**5**

Brake disc type  
**Ventilated**

Centering (B)  
**68** mm

Min. thickness  
**24** mm

Tightening torque  
**110** Nm



COMPATIBLE VEHICLES

## COMPATIBLE OE PART NUMBERS

402060V101	NISSAN
------------	--------

402062Y502	NISSAN
------------	--------

402062Y503	NISSAN
------------	--------

402062Y505	NISSAN
------------	--------

402063L101	NISSAN
------------	--------

402063L103	NISSAN
------------	--------

4020640U02	NISSAN
------------	--------

4020640U10	NISSAN
------------	--------

4020640U12	NISSAN
------------	--------

402065L800	NISSAN
------------	--------

4020662Y505	NISSAN
-------------	--------

4020680E00	NISSAN
------------	--------

4020680E01	NISSAN
------------	--------

4020680E02	NISSAN
------------	--------

4020689E01	NISSAN
------------	--------