



BRAKE DISC MAX

09.8690.75

The 09.8690.75 Max brake disc is synonymous with reliability

The Brembo Max brake disc features grooves on the braking surface. The special shape of the grooves generates greater fading resistance and constant renewal of friction material, quickly restoring optimum braking conditions. The UV paint completes the sporty look.

- ✓ Brembo quality
- ✓ ECE-R90 certificate
- ✓ Performance
- ✓ Sports driving
- ✓ Sporty look
- ✓ High carbon
- ✓ Anti-corrosion
- ✓ Fastening screws



Technical specifications



EAN code
8020584015063

Axle
Front

Diameter Ø
312 mm

Thickness (TH)
25 mm

Height (A)
46 mm

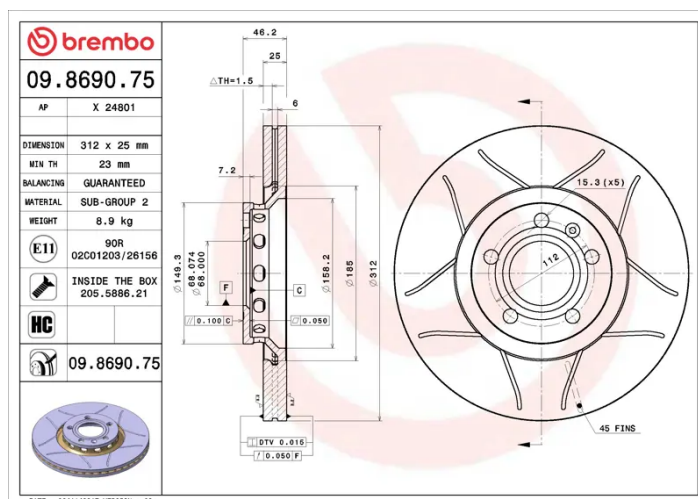
Number of holes (C)
5

Brake disc type
Ventilated

Centering (B)
68 mm

Min. thickness
23 mm

Tightening torque
120 Nm



COMPATIBLE VEHICLES

COMPATIBLE OE PART NUMBERS

3B0615301B	AUDI
------------	------

4B0615301A	AUDI
------------	------

8D0615301J	AUDI
------------	------

8E0615301R	AUDI
------------	------

4B0615301A	AUDI (FAW)
------------	------------

L8E0615301R	AUDI (FAW)
-------------	------------

4B0615301A	SEAT
------------	------

8D0615301J	SEAT
------------	------

8E0615301R	SEAT
------------	------

3B0615301B	SKODA
------------	-------

4B0615301A	SKODA
------------	-------

4B0615301C	SKODA
------------	-------

8D0615301J	SKODA
------------	-------

8E0615301R	SKODA
------------	-------

3B0615301B	VW
------------	----

4B0615301A	VW
------------	----

4B0615301C	VW
------------	----

8D0615301J	VW
------------	----

8E0615301R	VW
------------	----

4B0615301C	VW (SVW)
------------	----------