



# BRAKE DISC PAINTED

## 09.8969.21

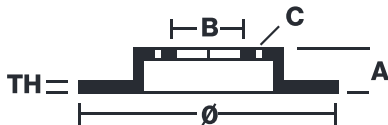
The 09.8969.21 painted brake disc is synonymous with reliability

The Brembo brake disc with special UV paint treatment guarantees superior corrosion resistance for the product, thanks to the protective coating on the outer edges and on the disc hub. The UV paint not only gives the disc a clean, shiny appearance but is also beneficial for the environment as the water-based UV paint treatment does not require the use of chemical solvents and is a low energy consumption process.

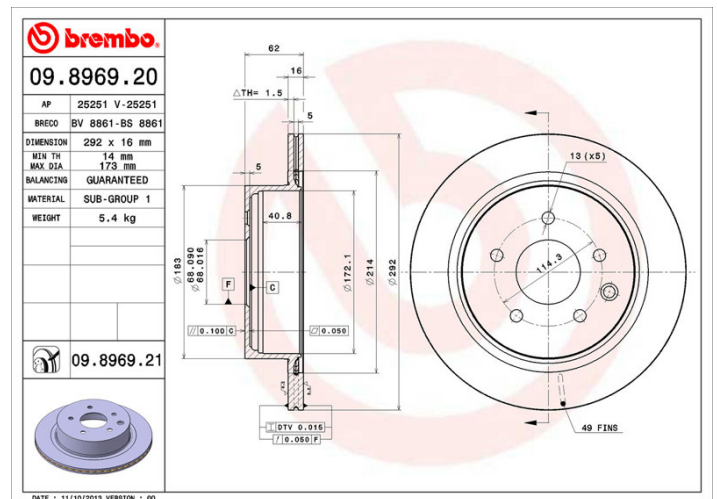
- ✓ OE-equivalent
- ✓ Brembo quality
- ✓ ECE-R90 certificate
- ✓ Safety
- ✓ Anti-corrosion



### Technical specifications



EAN code	Axle	Diameter $\varnothing$
<b>8020584031605</b>	<b>Rear</b>	<b>292 mm</b>
Thickness (TH)	Height (A)	Number of holes (C)
<b>16 mm</b>	<b>62 mm</b>	<b>5</b>
Brake disc type	Centering (B)	Min. thickness
<b>Ventilated</b>	<b>68 mm</b>	<b>14 mm</b>



**COMPATIBLE VEHICLES**

## COMPATIBLE OE PART NUMBERS

432061DA0A DONGFENG FENGDU

---

432068H305 INFINITI

---

432068H701 INFINITI

---

432068H702 INFINITI

---

43206049VA NISSAN

---

432063NF0A NISSAN

---

432063NL0A NISSAN

---

432063NL0B NISSAN

---

432064BA0A NISSAN

---

432064BT0B NISSAN

---

432064BT0C NISSAN

---

432065HA0A NISSAN

---

432068H304 NISSAN

---

432068H305 NISSAN

---

432068H700 NISSAN

---

432068H701 NISSAN

---

432068H702 NISSAN

---

D32068H30EVA NISSAN

---

432061DA0A NISSAN (DFAC)

---

432064CL0A NISSAN (DFAC)

---

432000016R RENAULT

---

432003112R RENAULT

---

432065HA0A RENAULT

---

432064CL0A RENAULT (DFAC)

---

432064CL0A VENUCIA

---