



# BRAKE DISC XTRA

## 09.9464.2X

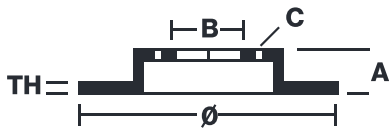
The 09.9464.2X Xtra brake disc is synonymous with reliability

The Brembo Xtra brake disc features holes on the braking surface. The holes are designed to improve the cooling of the braking system, to generate greater fading resistance and grip in the initial stages of braking. The sports look is also enhanced by the presence of the UV paint.

- ✓ Brembo quality
- ✓ ECE-R90 certificate
- ✓ Performance
- ✓ Sports driving
- ✓ Sporty look
- ✓ High carbon
- ✓ Anti-corrosion



### Technical specifications



EAN code  
**8020584228449**

Axle  
**Front**

Diameter Ø  
**278 mm**

Thickness (TH)  
**25 mm**

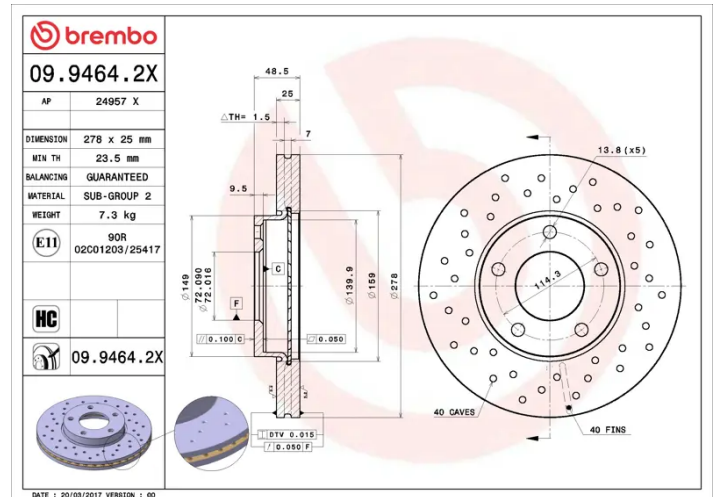
Height (A)  
**49 mm**

Number of holes (C)  
**5**

Brake disc type  
**Ventilated**

Centering (B)  
**72 mm**

Min. thickness  
**23,5 mm**



COMPATIBLE VEHICLES

## COMPATIBLE OE PART NUMBERS

BP4Y3325XB	MAZDA
BP4Y3325XC	MAZDA
BP4Y3325XD	MAZDA
C24Y3325XB	MAZDA
C24Y3325XC	MAZDA
C24Y3325XC9A	MAZDA
C24Y3325XD	MAZDA
C24Y3325XE	MAZDA
BFF43325X	MAZDA (CHANGAN)
C24Y3325XB	MAZDA (CHANGAN)
C24Y3325XC	MAZDA (CHANGAN)
C24Y3325XD	MAZDA (CHANGAN)