



BRAKE DISC

09.B354.10

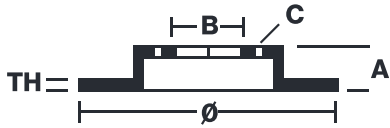
The **09.B354.10** brake disc is synonymous with reliability

The Brembo brake disc is fully interchangeable with an Original Equipment brake disc. The control of the entire production cycle allows Brembo to offer brake discs with outstanding performance levels, reliability, durability and comfort in all conditions of use. All Brembo brake discs are accompanied by the ECE-R90 homologation.

- ✓ OE-equivalent
- ✓ Brembo quality
- ✓ ECE-R90 certificate
- ✓ Safety



Technical specifications



EAN code
8020584039939

Axle
Front

Diameter Ø
320 mm

Thickness (TH)
28 mm

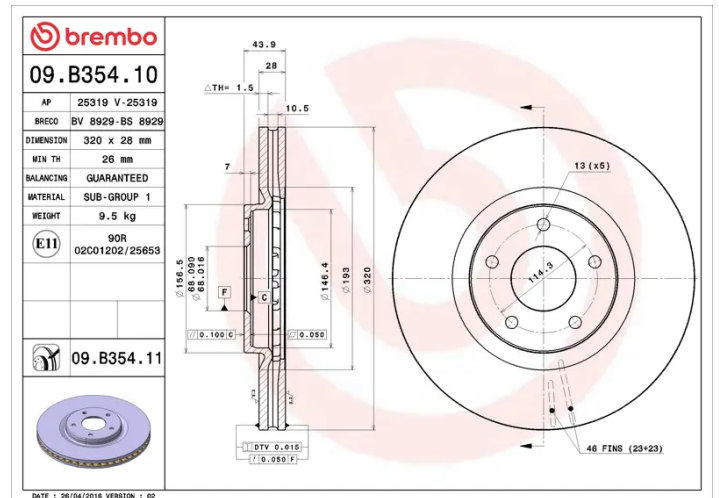
Height (A)
44 mm

Number of holes (C)
5

Brake disc type
Ventilated

Centering (B)
68 mm

Min. thickness
26 mm



COMPATIBLE VEHICLES

COMPATIBLE OE PART NUMBERS

40206ET01A	NISSAN
------------	--------

402069828R	RENAULT
------------	---------

40206JY00A	RENAULT
------------	---------

40206JY01A	RENAULT
------------	---------

8660002095	RENAULT
------------	---------