



BRAKE DISC

09.B355.10

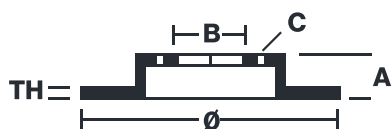
The **09.B355.10** brake disc is synonymous with reliability

The Brembo brake disc is fully interchangeable with an Original Equipment brake disc. The control of the entire production cycle allows Brembo to offer brake discs with outstanding performance levels, reliability, durability and comfort in all conditions of use. All Brembo brake discs are accompanied by the ECE-R90 homologation.

- ✓ OE-equivalent
- ✓ Brembo quality
- ✓ ECE-R90 certificate
- ✓ Safety
- ✓ Fastening screws



Technical specifications



EAN code
8020584035825

Axle
Front

Diameter Ø
276 mm

Thickness (TH)
26 mm

Height (A)
46 mm

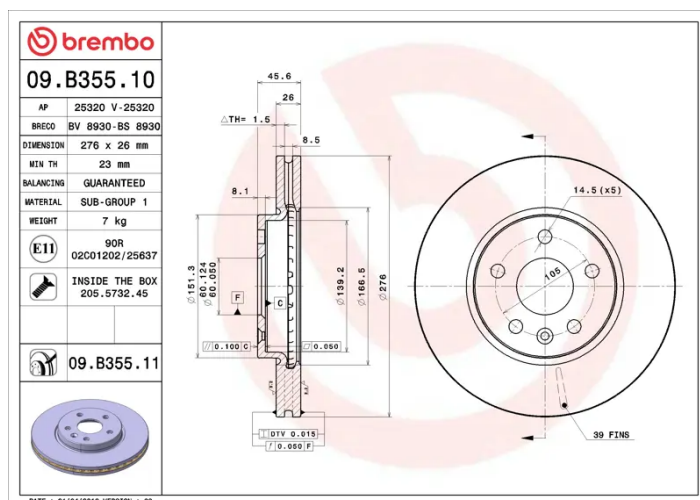
Number of holes (C)
5

Brake disc type
Ventilated

Centering (B)
60 mm

Min. thickness
23 mm

Tightening torque
120 Nm



COMPATIBLE VEHICLES

COMPATIBLE OE PART NUMBERS

13502045 BUICK (SGM)

13502824 BUICK (SGM)

13502044 CHEVROLET

13502045 CHEVROLET

13502824 CHEVROLET

23118274 CHEVROLET

13502045 CHEVROLET (SGM)

13502824 CHEVROLET (SGM)

13502050 GMC

13502044 OPEL

13502045 OPEL

569069 OPEL

569073 OPEL

95527030 OPEL

13502044 VAUXHALL

13502045 VAUXHALL

95527030 VAUXHALL
