



BRAKE DISC PAINTED

09.D902.13

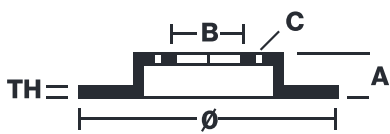
Composite brake disc 09.D902.13 belongs to Brembo Premium Line

The Composite brake disc is dedicated to the highest-performance BMW applications and is perfectly interchangeable with the original disc. It has an aluminium hat connected to the special cast iron braking surface by steel pins. This solution makes the disc lighter for improved handling of the car.



- ✓ OE-equivalent
- ✓ Brembo quality
- ✓ ECE-R90 certificate
- ✓ Weight reduction
- ✓ High carbon
- ✓ Bi-Material Brake Disc
- ✓ Anti-corrosion
- ✓ Fastening screws
- ✓ Fading resistance

Technical specifications



EAN code **8020584238356** Axle **Front and rear**

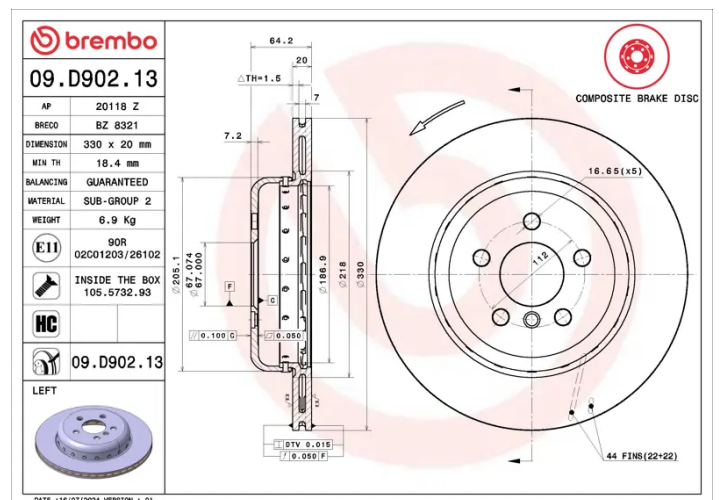
Thickness (TH) **20 mm** Height (A) **64 mm**

Brake disc type **Ventilated** Centering (B) **67 mm**

Diameter \varnothing **330 mm**

Number of holes (C) **5**

Min. thickness **18,4 mm**



COMPATIBLE VEHICLES

COMPATIBLE OE PART NUMBERS

34206883979	BMW
34207915319	BMW
34216860923	BMW
34216882245	BMW
34216882245	BMW (BRILLIANCE)
42431WAA02	TOYOTA