



DRUM

14.6796.10

The 14.6796.10 drum is synonymous with reliability

Brembo has developed several design solutions for drum brakes which combine multiple materials to reduce the overall weight. The most popular range of lamellar graphite cast iron drums is supplemented by cast iron drums with a steel sprocket flange and aluminium drums, whereby only the inner part of the drum on which the shoes operate are made of lamellar cast iron, namely the brake band. Additionally drums with built-in bearing kit and hub are added to this range.



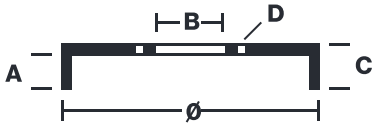
- ✓ OE-equivalent
- ✓ Brembo quality
- ✓ Safety
- ✓ Durability

Technical specifications



OPEL P.N.: 418051
 VAUXHALL P.N.: 90509107
 CUSTOMER P.N.:

14.6796.10
 Date 26.02.96



EAN code
8020584679616

Axle
Rear

Diameter
200 mm

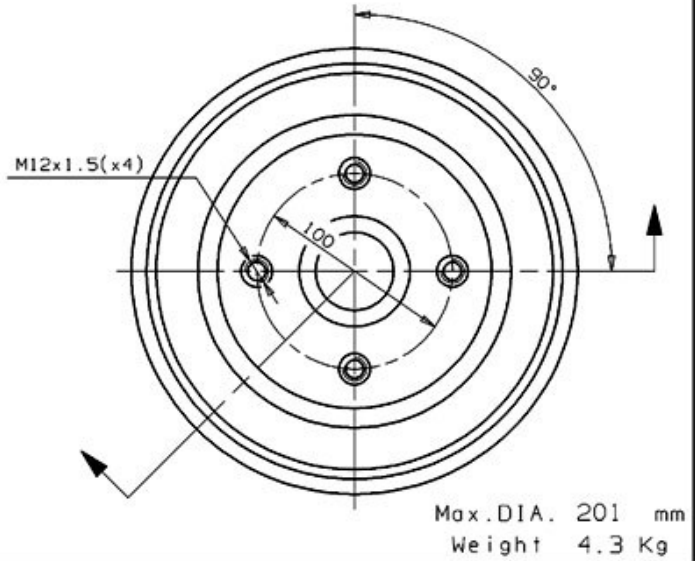
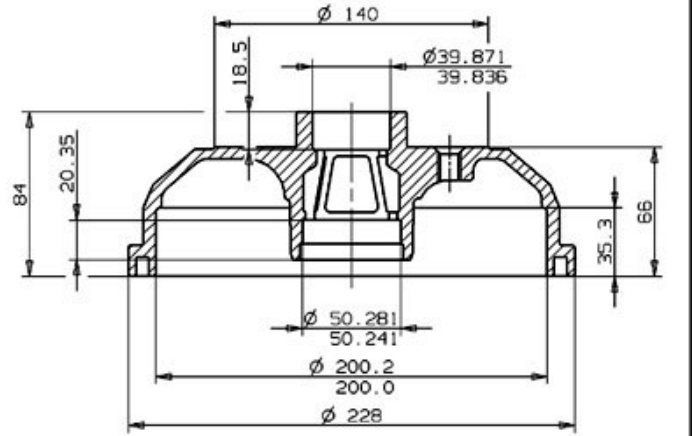
Width
35 mm

Height
84

Number of holes
4

Centering
39,9 mm

Max diameter
201 mm



COMPATIBLE VEHICLES

COMPATIBLE OE PART NUMBERS

418025	OPEL
418051	OPEL
90509107	VAUXHALL