



BRAKE PAD PRIME CERAMIC P15006N

The P15006N NAO brake pad is synonymous with reliability

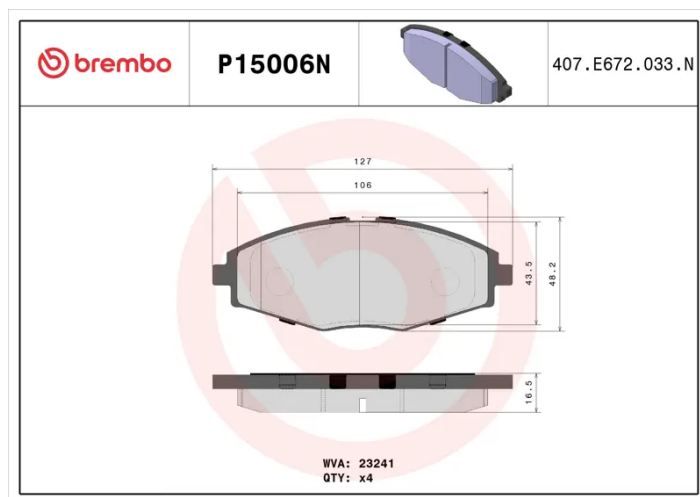
Brembo NAO brake pads stand out for their ultimate braking comfort, reduced friction wear and low dust mission, which makes for cleaner rims and reduced maintenance requirements. The advanced friction material in keeping with the strictest environmental standards is the main distinguishing feature of NAO compounds.

- ✓ OE-equivalent
- ✓ Brembo quality
- ✓ Safety
- ✓ Comfort
- ✓ Durability
- ✓ Dust reduction
- ✓ With accessories



Technical specifications

EAN code 8020584096666	Axle Front	Thickness 17 mm
Width 127 mm	Height 48 mm	Braking system Akebono
Wear indicator Without	WVA number 23241	Accessories With anti-squeal shim



COMPATIBLE VEHICLES

COMPATIBLE OE PART NUMBERS

23905118	BAOJUN (SGMW)
23905119	BAOJUN (SGMW)
24558836	BAOJUN (SGMW)
3501180K01	CHANGAN
3501210C01	CHANGAN
3501220C01	CHANGAN
3501280K01	CHANGAN
A1010361100	CHANGAN
A1010361101	CHANGAN
CV60601501	CHANGAN
CV60601502	CHANGAN
CV60601600	CHANGAN
S111ET3501080	CHERY
S113501080	CHERY
S116AD3501080BC	CHERY
01110040240	CHEVROLET
93747541	CHEVROLET
96288629	CHEVROLET
96446175	CHEVROLET
96446176	CHEVROLET
96596770	CHEVROLET
96273708	DAEWOO
96281945	DAEWOO
96316582	DAEWOO
S4510004	DAEWOO
4546006	FENGSHEN
S003001060	NETA (HOZON)