

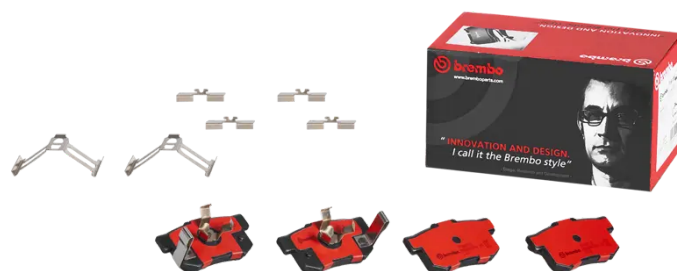


BRAKE PAD PRIME CERAMIC P28051N

The P28051N NAO brake pad is synonymous with reliability

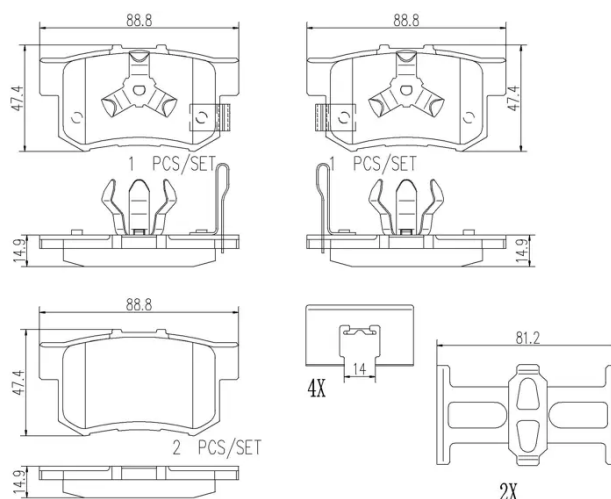
Brembo NAO brake pads stand out for their ultimate braking comfort, reduced friction wear and low dust mission, which makes for cleaner rims and reduced maintenance requirements. The advanced friction material in keeping with the strictest environmental standards is the main distinguishing feature of NAO compounds.

- ✓ OE-equivalent
- ✓ Brembo quality
- ✓ Safety
- ✓ Comfort
- ✓ Durability
- ✓ Dust reduction
- ✓ With accessories



Technical specifications

| | | |
|-----------------------------------|--|---|
| EAN code 8020584097755 | Axle Rear | Thickness 15 mm |
| Width 89 mm | Height 47 mm | Braking system Akebono |
| Wear indicator Acoustic | WVA number 24231,24232,24233 | Accessories With accessories With anti-squeal shim With piston clip |



COMPATIBLE VEHICLES

COMPATIBLE OE PART NUMBERS

| | |
|-------------|------------------|
| 43022SX5010 | ACURA |
| 43022T0GA00 | ACURA |
| 43022T0GA01 | ACURA |
| 43022TP6H00 | ACURA |
| 06430S0KJ01 | HONDA |
| 06430S0NJ00 | HONDA |
| 06430S2XJ00 | HONDA |
| 06430S3NJ00 | HONDA |
| 06430S7AJ00 | HONDA |
| 06430S7S000 | HONDA |
| 06430S9A010 | HONDA |
| 06430SCVA00 | HONDA |
| 06430SED000 | HONDA |
| 06430SEDE50 | HONDA |
| 43022S7S000 | HONDA |
| 43022S9A000 | HONDA |
| 43022S9A010 | HONDA |
| 43022S9A020 | HONDA |
| 43022S9AE00 | HONDA |
| 43022SCVA00 | HONDA |
| 43022SJF000 | HONDA |
| 43022SP0010 | HONDA |
| 43022SP0305 | HONDA |
| 43022SX5000 | HONDA |
| 43022T0GA00 | HONDA |
| 43022T0TH00 | HONDA |
| 43022T2MT00 | HONDA |
| 43022TLOG50 | HONDA |
| 43022TLOG51 | HONDA |
| 43022TLOG52 | HONDA |
| 43022TP6A00 | HONDA |
| 43022TP6A01 | HONDA |
| 43022T0TH00 | HONDA (DONGFENG) |
| 43022T0TH00 | HONDA (GAC) |
| 586202984 | ISUZU |
| 586207073 | ISUZU |
| 586207204 | ISUZU |
| AY060HN005 | NISSAN |