



BRAKE PAD NAO P30066N

The P30066N NAO brake pad is synonymous with reliability

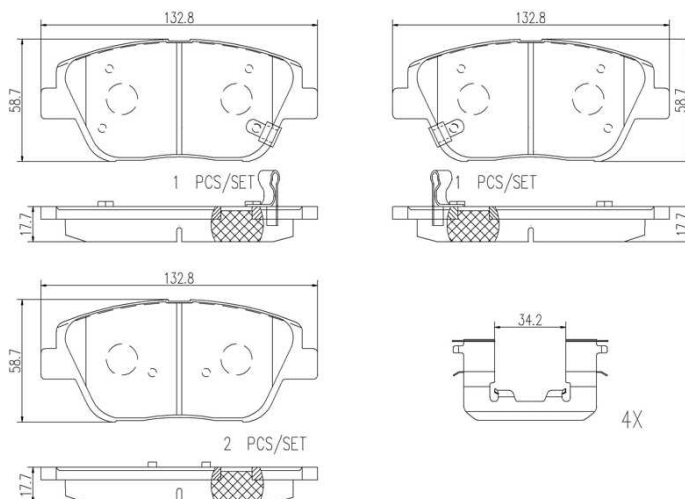
Brembo NAO brake pads stand out for their ultimate braking comfort, reduced friction wear and low dust mission, which makes for cleaner rims and reduced maintenance requirements. The advanced friction material in keeping with the strictest environmental standards is the main distinguishing feature of NAO compounds.

- ✓ OE-equivalent
- ✓ Brembo quality
- ✓ Safety
- ✓ Comfort
- ✓ Durability
- ✓ Dust reduction
- ✓ With accessories



Technical specifications

EAN code 8020584081303	Axle Front	Thickness 18 mm
Width 133 mm	Height 59 mm	Braking system Mando
Wear indicator Acoustic	WVA number 25644,25645,25646	Accessories With accessories With anti-squeal shim



COMPATIBLE VEHICLES

COMPATIBLE OE PART NUMBERS

581013QA10	HYUNDAI
------------	---------

581013VA50	HYUNDAI
------------	---------

581012TA00	KIA
------------	-----

581012TA50	KIA
------------	-----

581013QA50	KIA
------------	-----

581013VA50	KIA
------------	-----

581014UA00	KIA
------------	-----

58101D6A10	KIA (DYK)
------------	-----------