



# BRAKE PAD PRIME CERAMIC P65042N

The P65042N NAO brake pad is synonymous with reliability

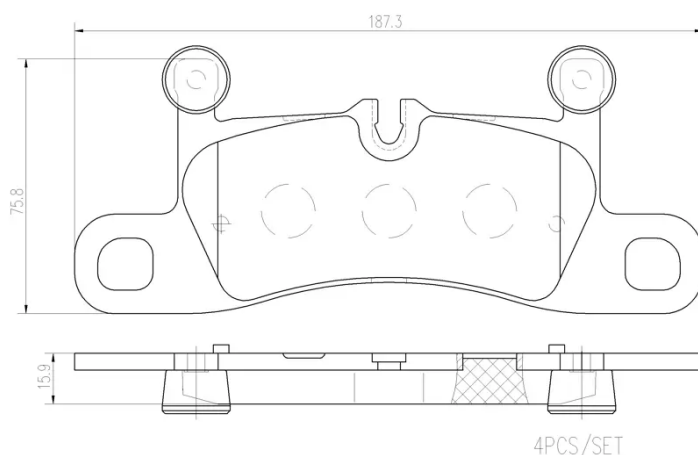
Brembo NAO brake pads stand out for their ultimate braking comfort, reduced friction wear and low dust mission, which makes for cleaner rims and reduced maintenance requirements. The advanced friction material in keeping with the strictest environmental standards is the main distinguishing feature of NAO compounds.

- ✓ OE-equivalent
- ✓ Brembo quality
- ✓ Safety
- ✓ Comfort
- ✓ Durability
- ✓ Dust reduction
- ✓ With accessories



## Technical specifications

EAN code <b>8020584115428</b>	Axle <b>Rear</b>	Thickness <b>16 mm</b>
Width <b>187 mm</b>	Height <b>76 mm</b>	Braking system <b>Brembo</b>
Wear indicator <b>Prepared for wear indicator</b>	WVA number <b>25143</b>	Accessories <b>With anti-squeal shim With counterweights</b>



COMPATIBLE VEHICLES

## COMPATIBLE OE PART NUMBERS

99135293902	PORSCHE
-------------	---------

99135293904	PORSCHE
-------------	---------

9Y0698451AD	PORSCHE
-------------	---------

9Y0698451AE	PORSCHE
-------------	---------

9Y0698451AF	PORSCHE
-------------	---------

9Y0698451B	PORSCHE
------------	---------

9Y0698451J	PORSCHE
------------	---------