



BRAKE PAD PRIME CERAMIC P65049N

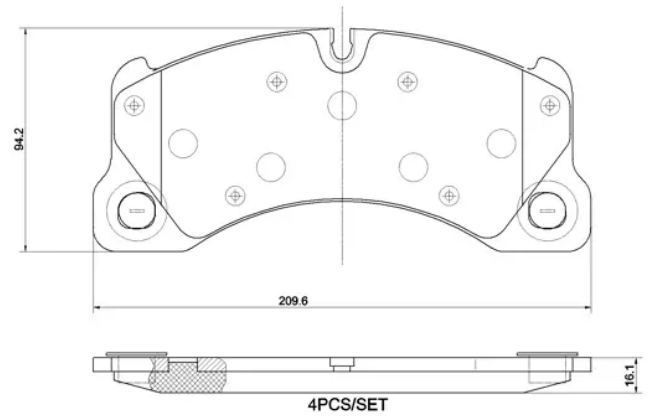
**The P65049N NAO brake pad is
synonymous with reliability**

Brembo NAO brake pads stand out for their ultimate braking comfort, reduced friction wear and low dust mission, which makes for cleaner rims and reduced maintenance requirements. The advanced friction material in keeping with the strictest environmental standards is the main distinguishing feature of NAO compounds.

- ✓ OE-equivalent
- ✓ Brembo quality
- ✓ Safety
- ✓ Comfort
- ✓ Durability
- ✓ Dust reduction
- ✓ With accessories

Technical specifications

EAN code	Axle	Thickness
8020584119822	Front	17 mm
Width	Height	Braking system
210 mm	95 mm	Brembo
Wear indicator	WVA number	Accessories
Prepared for wear indicator	22148	With anti-squeal shim



2X L=420MM

COMPATIBLE OE PART NUMBERS

9J1698151J	AUDI
95B698151D	PORSCHE
9Y0698151AA	PORSCHE
9Y0698151AT	PORSCHE
9Y0698151BE	PORSCHE
9Y0698151BF	PORSCHE
9Y0698151BH	PORSCHE
9Y0698151G	PORSCHE
9Y0698151K	PORSCHE