



BRAKE PAD PRIME CERAMIC P78010N

The P78010N NAO brake pad is synonymous with reliability

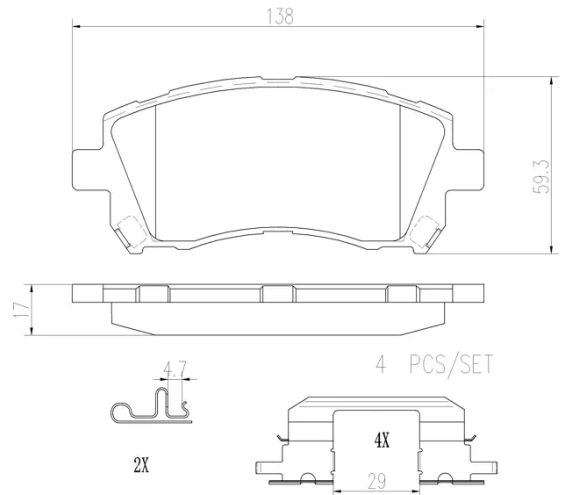
Brembo NAO brake pads stand out for their ultimate braking comfort, reduced friction wear and low dust mission, which makes for cleaner rims and reduced maintenance requirements. The advanced friction material in keeping with the strictest environmental standards is the main distinguishing feature of NAO compounds.

- ✓ OE-equivalent
- ✓ Brembo quality
- ✓ Safety
- ✓ Comfort
- ✓ Durability
- ✓ Dust reduction
- ✓ With accessories



Technical specifications

EAN code 8020584099407	Axle Front and rear	Thickness 17 mm
Width 138 mm	Height 59 mm	Braking system Akebono
Wear indicator Acoustic	WVA number 23558,23559,23560	Accessories With anti-squeal shim



COMPATIBLE VEHICLES

COMPATIBLE OE PART NUMBERS

MN102134 MITSUBISHI

MN116286 MITSUBISHI

MZ690143 MITSUBISHI

AY040FJ004 NISSAN

26233AE000 SUBARU

26296AC030 SUBARU

26296AC040 SUBARU

26296AC041 SUBARU

26296AC050 SUBARU

26296AC060 SUBARU

26296AC070 SUBARU

26296AC200 SUBARU

26296AE020 SUBARU

26296AE080 SUBARU

26296AE081 SUBARU

26296AE100 SUBARU

26296AE140 SUBARU

26296AE141 SUBARU

26296AE210 SUBARU

26296AE220 SUBARU

26296AF020 SUBARU

26296FE060 SUBARU
