



BRAKE PAD NAO P85070N

The P85070N NAO brake pad is synonymous with reliability



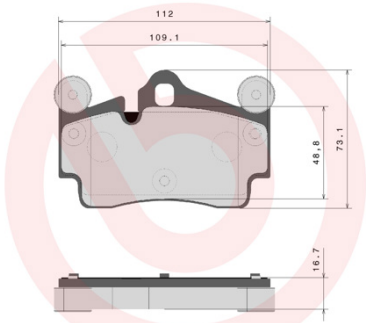
Brembo NAO brake pads stand out for their ultimate braking comfort, reduced friction wear and low dust mission, which makes for cleaner rims and reduced maintenance requirements. The advanced friction material in keeping with the strictest environmental standards is the main distinguishing feature of NAO compounds.

- ✓ OE-equivalent
- ✓ Brembo quality
- ✓ Safety
- ✓ Comfort
- ✓ Durability
- ✓ Dust reduction
- ✓ With accessories



Technical specifications

| | | |
|--|----------------------------|---|
| EAN code 8020584090008 | Axle Rear | Thickness 17 mm |
| Width 112 mm | Height 73 mm | Braking system Brembo |
| Wear indicator Prepared for wear indicator | WVA number 23694 | Accessories With anti-squeal shim With counterweights |

| | | | |
|--|----------------|---|----------------|
|  | P85070N |  | 407.E672.268.N |
|  | | | |
| DATE : 17/01/2024 VERSION : 00 | | | |

COMPATIBLE VEHICLES

COMPATIBLE OE PART NUMBERS

4L0698451D AUDI

7L0698451 AUDI

7L0698451A AUDI

7L0698451B AUDI

7L0698451G AUDI

7L0698451H AUDI

7L0698451K AUDI

7L5698451B AUDI

7L6698451A AUDI

7L6698451D AUDI

95535293900 PORSCHE

95535293901 PORSCHE

95535293902 PORSCHE

95535293903 PORSCHE

95535293905 PORSCHE

95535293906 PORSCHE

95535293910 PORSCHE

958698451G PORSCHE

7L0698451 SEAT

7L0698451A SEAT

7L0698451B SEAT

7L0698451G SEAT

7L0698451H SEAT

7L5698451B SEAT

7L6698451A SEAT

7L6698451D SEAT

7L0698451 SKODA

7L0698451A SKODA

7L0698451B SKODA

7L0698451G SKODA

7L0698451H SKODA

7L5698451B SKODA

7L6698451A SKODA

7L6698451D SKODA

4L0698451D VW

7L0698451 VW

7L0698451A VW

7L0698451B VW

7L0698451G VW

7L0698451H VW

7L0698451K VW

7L5698451B VW

7L6698451A VW

7L6698451D VW

JZW698451S VW