



BRAKE PAD

P 06 109

The P 06 109 brake pad is synonymous with reliability

The Brembo brake pad guarantees ultimate safety when braking thanks to the use of more than 100 different compounds, designed according to the type of vehicle and use. Stopping distances reduced to a minimum, maximum driving comfort and silent operation are the most important features of Brembo materials. Brembo brake pads are supplied together with an extensive range of accessories and assembly kits for professional-standard installation.

- ✓ OE-equivalent
- ✓ Brembo quality
- ✓ ECE-R90 certificate
- ✓ Safety
- ✓ Performance
- ✓ Comfort
- ✓ With accessories



Technical specifications

EAN code
8020584115107

Axle
Rear

Thickness
18 mm

Width
116 mm

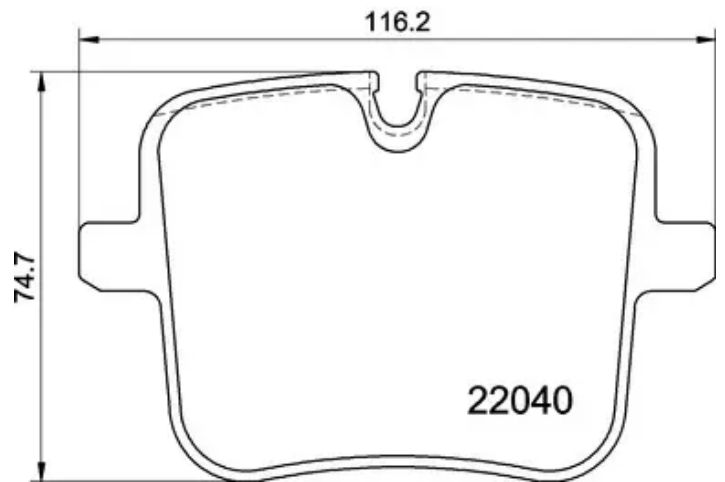
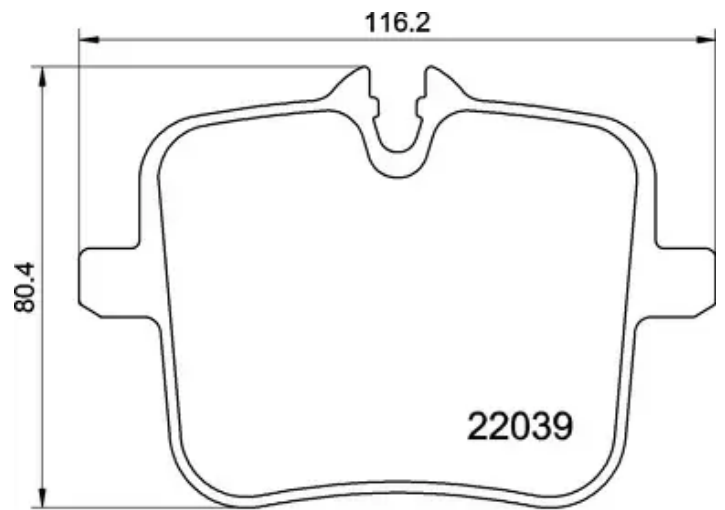
Height
75 mm

Braking system
TRW

Wear indicator
Prepared for wear indicator

WVA number
22039,22040

Accessories
**With accessories
With anti-squeal shim
With brake caliper bolts**



COMPATIBLE VEHICLES

COMPATIBLE OE PART NUMBERS

34207883269	BMW
34207883273	BMW
34208092823	BMW
34208093737	BMW
34216876905	BMW
34216885187	BMW
34216885362	BMW
34216893228	BMW
34217991043	BMW
3421799104302	BMW
34217991044	BMW
799104302	BMW