



BRAKE PAD

P 10 032

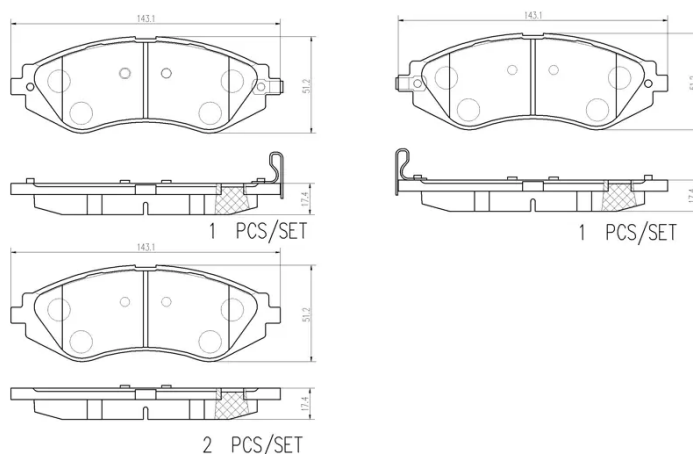
The P 10 032 brake pad is synonymous with reliability

The Brembo brake pad guarantees ultimate safety when braking thanks to the use of more than 100 different compounds, designed according to the type of vehicle and use. Stopping distances reduced to a minimum, maximum driving comfort and silent operation are the most important features of Brembo materials. Brembo brake pads are supplied together with an extensive range of accessories and assembly kits for professional-standard installation.

- ✓ OE-equivalent
- ✓ Brembo quality
- ✓ ECE-R90 certificate
- ✓ Safety
- ✓ Performance
- ✓ Comfort

Technical specifications

EAN code 8020584117330	Axle Front	Thickness 17 mm
Width 143 mm	Height 51 mm	Braking system Akebono
Wear indicator Acoustic	WVA number 20065	Accessories With anti-squeal shim



COMPATIBLE VEHICLES

COMPATIBLE OE PART NUMBERS

96405130	CHEVROLET
96534655	CHEVROLET
54510007	DAEWOO
95194917	GENERAL MOTORS
96534655	PONTIAC
5520085Z00	SUZUKI
5520085Z10	SUZUKI