



# BRAKE PAD

## P 16 009

The P 16 009 brake pad is synonymous with reliability

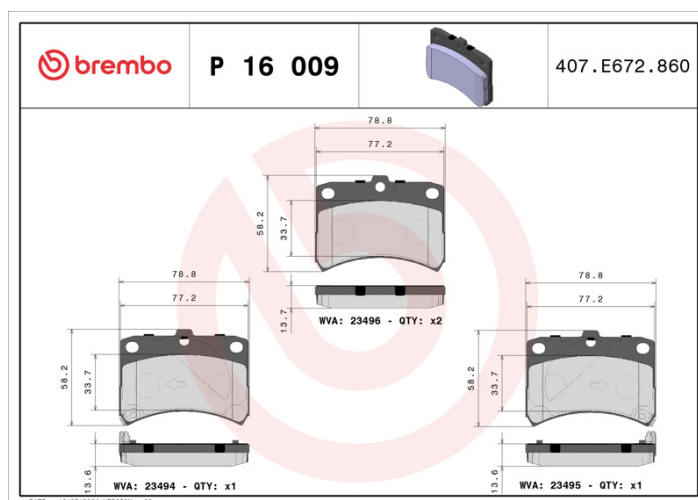
The Brembo brake pad guarantees ultimate safety when braking thanks to the use of more than 100 different compounds, designed according to the type of vehicle and use. Stopping distances reduced to a minimum, maximum driving comfort and silent operation are the most important features of Brembo materials. Brembo brake pads are supplied together with an extensive range of accessories and assembly kits for professional-standard installation.

- ✓ OE-equivalent
- ✓ Brembo quality
- ✓ ECE-R90 certificate
- ✓ Safety
- ✓ Performance
- ✓ Comfort



### Technical specifications

EAN code	Axle	Thickness
<b>8020584050699</b>	<b>Front</b>	<b>14 mm</b>
Width	Height	Braking system
<b>79 mm</b>	<b>58 mm</b>	<b>Sumitomo</b>
Wear indicator	WVA number	
<b>Acoustic</b>	<b>23495,23494,23496</b>	



## COMPATIBLE OE PART NUMBERS

04465B5020 DAIHATSU

---

04465B5030 DAIHATSU

---

04465B5050 DAIHATSU

---

04465B5051 DAIHATSU

---

04465B5052 DAIHATSU

---

04465B5060 DAIHATSU

---

04465B5080 DAIHATSU

---

0449197202 DAIHATSU

---

0449197202000 DAIHATSU

---

0449197213000 DAIHATSU

---

0449197501000 DAIHATSU

---

0449197506000 DAIHATSU

---

04491B2120 DAIHATSU

---

04491B5010000 DAIHATSU

---

0449168R01 PERODUA

---

04465B5020 SUBARU

---

04465B5051 SUBARU

---

04465B5052 SUBARU

---

04465B5060 SUBARU

---

04465B5080 SUBARU

---

04465B5020 TOYOTA

---

04465B5021 TOYOTA

---

04465B5080 TOYOTA

---

04491B5010 TOYOTA

---