



BRAKE PAD

P 37 006

The P 37 006 brake pad is synonymous with reliability

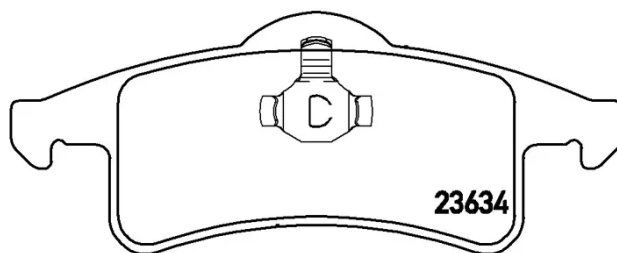
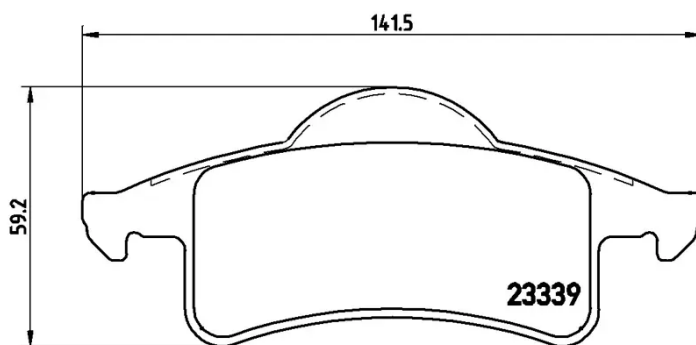
The Brembo brake pad guarantees ultimate safety when braking thanks to the use of more than 100 different compounds, designed according to the type of vehicle and use. Stopping distances reduced to a minimum, maximum driving comfort and silent operation are the most important features of Brembo materials. Brembo brake pads are supplied together with an extensive range of accessories and assembly kits for professional-standard installation.

- ✓ OE-equivalent
- ✓ Brembo quality
- ✓ ECE-R90 certificate
- ✓ Safety
- ✓ Performance
- ✓ Comfort



Technical specifications

EAN code	Axle	Thickness
8020584053157	Rear	17 mm
Width	Height	Braking system
139 mm	56 mm	Teves
Wear indicator	WVA number	Accessories
Without	23339,23634	With piston clip



COMPATIBLE OE PART NUMBERS

5011970AC	CHRYSLER
-----------	----------

05011970AA	JEEP
------------	------

05011970AB	JEEP
------------	------

5011970AA	JEEP
-----------	------

5011970AB	JEEP
-----------	------

K5011970AA	JEEP
------------	------

K5011970AB	JEEP
------------	------

05011978AA	JEEP VIASA
------------	------------