



BRAKE PAD

P 44 021

The P 44 021 brake pad is synonymous with reliability

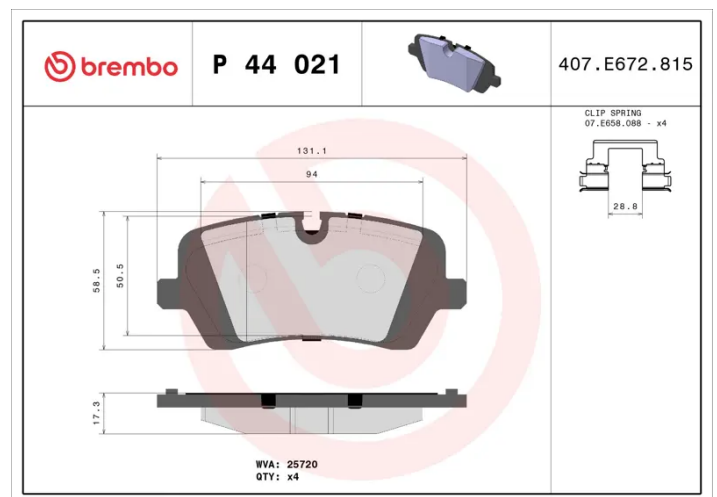
The Brembo brake pad guarantees ultimate safety when braking thanks to the use of more than 100 different compounds, designed according to the type of vehicle and use. Stopping distances reduced to a minimum, maximum driving comfort and silent operation are the most important features of Brembo materials. Brembo brake pads are supplied together with an extensive range of accessories and assembly kits for professional-standard installation.

- ✓ OE-equivalent
- ✓ Brembo quality
- ✓ ECE-R90 certificate
- ✓ Safety
- ✓ Performance
- ✓ Comfort
- ✓ With accessories



Technical specifications

EAN code 8020584103197	Axle Rear	Thickness 17 mm
Width 131 mm	Height 58 mm	Braking system TRW
Wear indicator Prepared for wear indicator	WVA number 25720	Accessories With accessories With anti-squeal shim With piston clip



COMPATIBLE VEHICLES

COMPATIBLE OE PART NUMBERS

LR036574 LAND ROVER

LR065492 LAND ROVER

LR068303 LAND ROVER

LR079910 LAND ROVER

LR079935 LAND ROVER

LR084118 LAND ROVER

LR106326 LAND ROVER

LR108260 LAND ROVER

LR123717 LAND ROVER

LR139173 LAND ROVER

LR146155 LAND ROVER

LR146247 LAND ROVER

LR147981 LAND ROVER

LR162042 LAND ROVER

LR162043 LAND ROVER

LR162046 LAND ROVER

LR162047 LAND ROVER

LR162048 LAND ROVER

LR164821 LAND ROVER
