



BRAKE PAD

P 61 101

The P 61 101 brake pad is synonymous with reliability

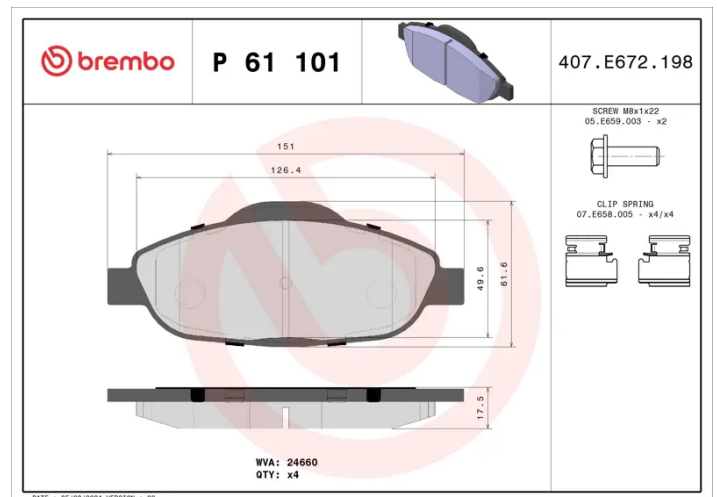
The Brembo brake pad guarantees ultimate safety when braking thanks to the use of more than 100 different compounds, designed according to the type of vehicle and use. Stopping distances reduced to a minimum, maximum driving comfort and silent operation are the most important features of Brembo materials. Brembo brake pads are supplied together with an extensive range of accessories and assembly kits for professional-standard installation.

- ✓ OE-equivalent
- ✓ Brembo quality
- ✓ ECE-R90 certificate
- ✓ Safety
- ✓ Performance
- ✓ Comfort
- ✓ With accessories



Technical specifications

EAN code 8020584061794	Axle Front	Thickness 18 mm
Width 151 mm	Height 62 mm	Braking system Bosch
Wear indicator Without	WVA number 24660	Accessories With accessories With brake caliper bolts With anti-squeal shim



COMPATIBLE VEHICLES

COMPATIBLE OE PART NUMBERS

1635058180	CITROËN
------------	---------

425393	CITROËN
--------	---------

425426	CITROËN
--------	---------

1609253080	PEUGEOT
------------	---------

1613259380	PEUGEOT
------------	---------

1617270080	PEUGEOT
------------	---------

1635058180	PEUGEOT
------------	---------

1647862780	PEUGEOT
------------	---------

425393	PEUGEOT
--------	---------

425426	PEUGEOT
--------	---------