



# BRAKE PAD

## P 61 106

The P 61 106 brake pad is synonymous with reliability

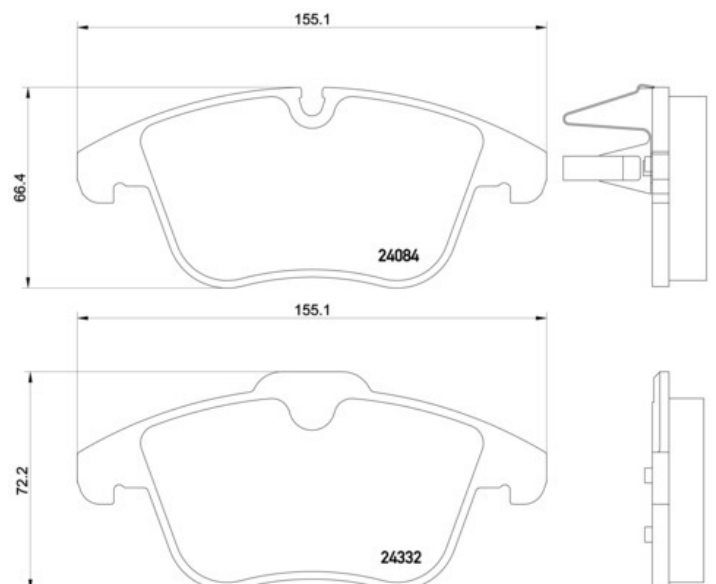
The Brembo brake pad guarantees ultimate safety when braking thanks to the use of more than 100 different compounds, designed according to the type of vehicle and use. Stopping distances reduced to a minimum, maximum driving comfort and silent operation are the most important features of Brembo materials. Brembo brake pads are supplied together with an extensive range of accessories and assembly kits for professional-standard installation.

- ✓ OE-equivalent
- ✓ Brembo quality
- ✓ ECE-R90 certificate
- ✓ Safety
- ✓ Performance
- ✓ Comfort



### Technical specifications

EAN code <b>8020584103548</b>	Axle <b>Front</b>	Thickness <b>18 mm</b>
Width <b>155 mm</b>	Height <b>66 mm</b>	Braking system <b>Teves</b>
Wear indicator <b>Electric</b>	WVA number <b>24084,24332</b>	Accessories <b>With piston clip</b>



COMPATIBLE VEHICLES

## COMPATIBLE OE PART NUMBERS

1609253180	CITROËN
1610103880	CITROËN
1617283280	CITROËN
1619790280	CITROËN
1647862980	CITROËN
425403	CITROËN
425424	CITROËN
4254A7	CITROËN
E172294	CITROËN
425438	CITROËN (DF-PSA)
1609253180	PEUGEOT
1610103780	PEUGEOT
1619790280	PEUGEOT
1647863380	PEUGEOT
425403	PEUGEOT
425424	PEUGEOT
4254A7	PEUGEOT
E172294	PEUGEOT
425438	PEUGEOT (DF-PSA)