



# BRAKE PAD

## P 68 033

The P 68 033 brake pad is synonymous with reliability

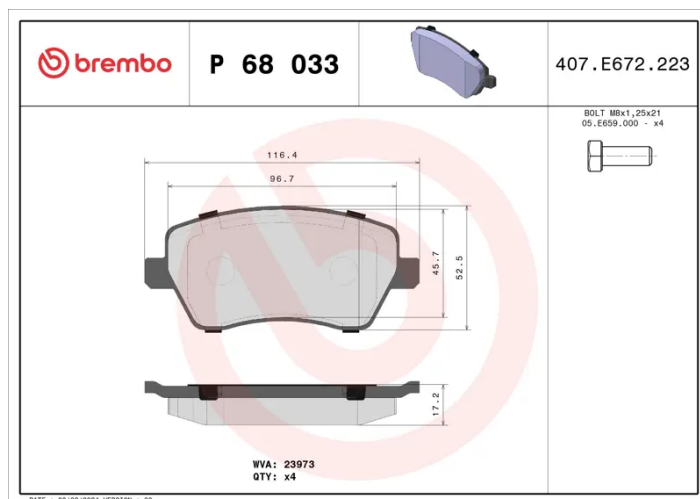
The Brembo brake pad guarantees ultimate safety when braking thanks to the use of more than 100 different compounds, designed according to the type of vehicle and use. Stopping distances reduced to a minimum, maximum driving comfort and silent operation are the most important features of Brembo materials. Brembo brake pads are supplied together with an extensive range of accessories and assembly kits for professional-standard installation.

- ✓ OE-equivalent
- ✓ Brembo quality
- ✓ ECE-R90 certificate
- ✓ Safety
- ✓ Performance
- ✓ Comfort
- ✓ With accessories



### Technical specifications

EAN code <b>8020584056967</b>	Axle <b>Front</b>	Thickness <b>17 mm</b>
Width <b>116 mm</b>	Height <b>52 mm</b>	Braking system <b>Lucas</b>
Wear indicator <b>Without</b>	WVA number <b>23973</b>	Accessories <b>With accessories</b> <b>With anti-squeal shim</b> <b>With brake caliper bolts</b>



**COMPATIBLE VEHICLES**

## COMPATIBLE OE PART NUMBERS

410601817R	DACIA
------------	-------

410604775R	DACIA
------------	-------

410608481R	DACIA
------------	-------

7701209164	DACIA
------------	-------

8660004726	DACIA
------------	-------

8671016692	DACIA
------------	-------

8450108101	LADA
------------	------

4154210510	MERCEDES-BENZ
------------	---------------

A4154210510	MERCEDES-BENZ
-------------	---------------

410600Q0K	NISSAN
-----------	--------

41060AX601	NISSAN
------------	--------

41060AX625	NISSAN
------------	--------

41060AZ625	NISSAN
------------	--------

D1060AX60A	NISSAN
------------	--------

D1060AX61A	NISSAN
------------	--------

D1060AX61F	NISSAN
------------	--------

D1060BH40A	NISSAN
------------	--------

410601817R	RENAULT
------------	---------

410604076R	RENAULT
------------	---------

410608481R	RENAULT
------------	---------

7701208422	RENAULT
------------	---------

7701209164	RENAULT
------------	---------

8660004726	RENAULT
------------	---------

8671016692	RENAULT
------------	---------