



BRAKE PAD

P 68 044E

The P 68 044E brake pad is synonymous with reliability



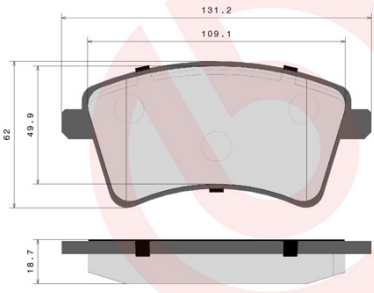

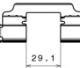
The Brembo brake pad guarantees ultimate safety when braking thanks to the use of more than 100 different compounds, designed according to the type of vehicle and use. Stopping distances reduced to a minimum, maximum driving comfort and silent operation are the most important features of Brembo materials. Brembo brake pads are supplied together with an extensive range of accessories and assembly kits for professional-standard installation.

- ✓ OE-equivalent
- ✓ Brembo quality
- ✓ ECE-R90 certificate
- ✓ Safety
- ✓ Performance
- ✓ Comfort
- ✓ With accessories



Technical specifications

EAN code 8020584123362	Axle Front	Thickness 19 mm
Width 131 mm	Height 62 mm	Braking system Bosch
Wear indicator Without	WVA number 24693	Accessories With accessories With anti-squeal shim With brake caliper bolts

	P 68 044E		407.E672.537.E
		SCREW M8x1,25x21 05.E659.000 - x2  CLIP SPRING 07.E658.027 - x4 	
WVA: 24693 QTY: x4			
<small>DATE : 25/05/2023 VERSION : 00</small>			

COMPATIBLE VEHICLES

COMPATIBLE OE PART NUMBERS

410601334R	RENAULT
------------	---------

410603750R	RENAULT
------------	---------

7701209864	RENAULT
------------	---------

7701210110	RENAULT
------------	---------

8660000762	RENAULT
------------	---------

8660004532	RENAULT
------------	---------
