



BRAKE PAD XTRA

P 85 137X

The P 85 137X Xtra brake pad is synonymous with reliability

Brembo Xtra brake pads, developed to enhance the advantages of the Xtra and Max discs, are made using the special BRM X L01 compound which consists of more than 30 different components. Compared with the compound used for original-equivalent pads, the new solution assures a higher friction coefficient, which translates to more precise and stable braking, at both high and low temperatures. All this makes for greater driving comfort and improved pedal modularity, without compromising the product's mileage output.



- ✓ OE-equivalent
- ✓ Brembo quality
- ✓ ECE-R90 certificate
- ✓ Safety
- ✓ Performance
- ✓ Sports driving

Technical specifications

EAN code
8020584069448

Axle
Front

Thickness
17 mm

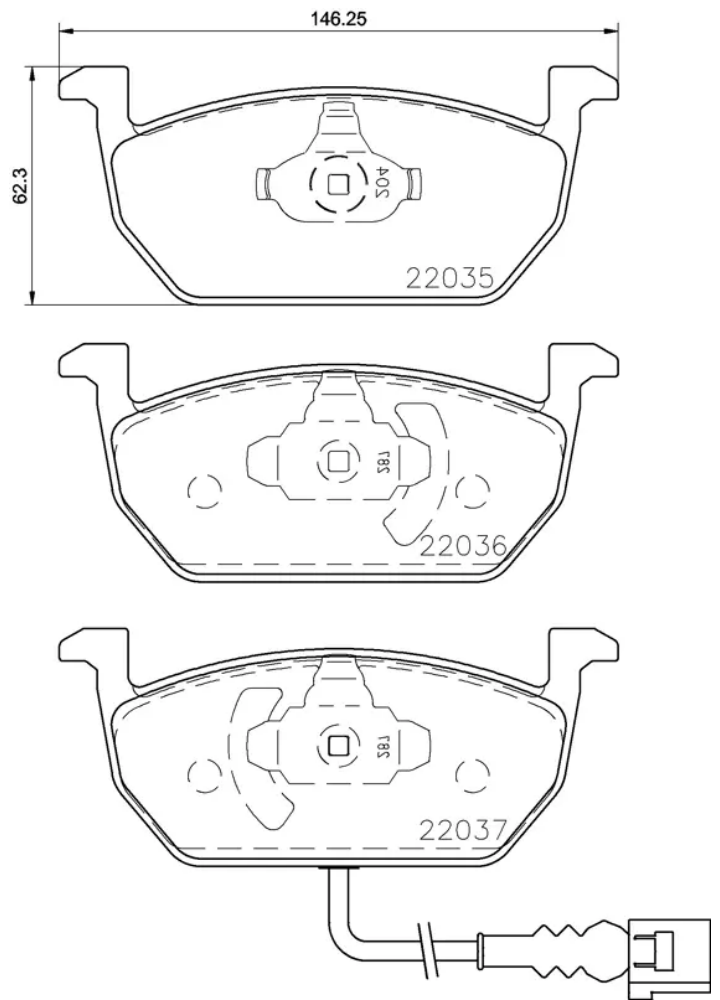
Width
146 mm

Height
62 mm

Braking system
Teves

Wear indicator
Electric

WVA number
22035,22036,22037



COMPATIBLE VEHICLES

COMPATIBLE OE PART NUMBERS

5Q0698151C	AUDI
JZW698151AS	AUDI
5Q0698151C	SEAT
JZW698151AS	SEAT
5Q0698151C	SKODA
JZW698151AS	SKODA
5Q0698151C	VW
5Q0698151T	VW
JZW698151AS	VW
5QD698151F	VW (SVW)