



# BRAKE DISC PAINTED

## 08.4931.21

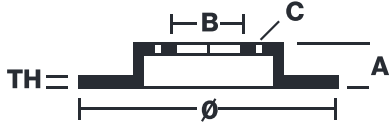
The 08.4931.21 painted brake disc is synonymous with reliability

The Brembo brake disc with special UV paint treatment guarantees superior corrosion resistance for the product, thanks to the protective coating on the outer edges and on the disc hub. The UV paint not only gives the disc a clean, shiny appearance but is also beneficial for the environment as the water-based UV paint treatment does not require the use of chemical solvents and is a low energy consumption process.

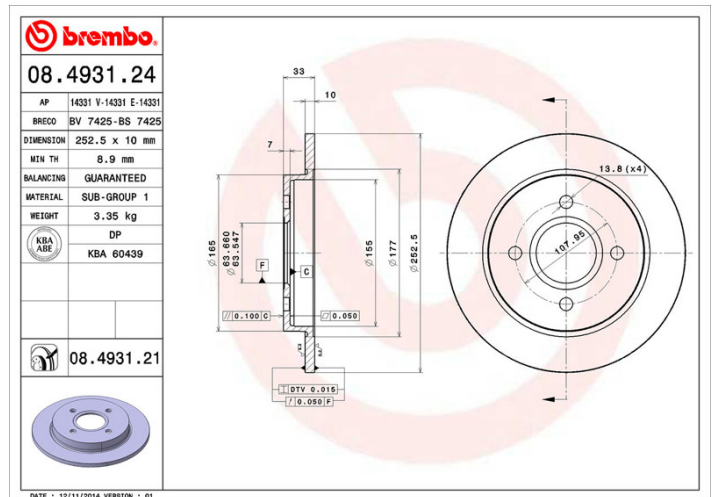
- ✓ OE-equivalent
- ✓ Brembo quality
- ✓ ECE-R90 certificate
- ✓ Safety
- ✓ Anti-corrosion



### Technical specifications



EAN code <b>8020584213896</b>	Axle <b>Rear</b>	Diameter Ø <b>253 mm</b>
Thickness (TH) <b>10 mm</b>	Height (A) <b>33 mm</b>	Number of holes (C) <b>4</b>
Brake disc type <b>Solid</b>	Centering (B) <b>64 mm</b>	Min. thickness <b>8,9 mm</b>
Tightening torque <b>85 Nm</b>		



**COMPATIBLE VEHICLES**

## COMPATIBLE OE PART NUMBERS

1073756	FORD
1197572	FORD
1323621	FORD
1373781	FORD
1456666	FORD
1473006	FORD
1507058	FORD
1514237	FORD
1630149	FORD
1637969	FORD
1659810	FORD
1756882	FORD
1780880	FORD
154Z2C026BA	FORD
4083484	FORD
5022666	FORD
5023483	FORD
5030658	FORD
7204066	FORD
756Z2C026A	FORD
95GB2A315B1C	FORD
95GB2A315FA	FORD
95GB2A315FB	FORD
95GJ2A315EC	FORD
95GX2A315EA	FORD
95GX2A315EB	FORD
95GX2A315FB	FORD
C1BC2A315AA	FORD
V85BX2A315AB	FORD
C1BC2A315AA	FORD ASIA & OCEANIA
C1BZ2C026A	FORD USA
5022666	TVR