



BRAKE DISC

08.8405.10

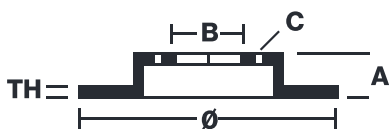
The **08.8405.10** brake disc is synonymous with reliability

The Brembo brake disc is fully interchangeable with an Original Equipment brake disc. The control of the entire production cycle allows Brembo to offer brake discs with outstanding performance levels, reliability, durability and comfort in all conditions of use. All Brembo brake discs are accompanied by the ECE-R90 homologation.

- ✓ OE-equivalent
- ✓ Brembo quality
- ✓ ECE-R90 certificate
- ✓ Safety
- ✓ High carbon
- ✓ Fastening screws



Technical specifications



EAN code
8020584840511

Axle
Rear

Diameter \emptyset
296 mm

Thickness (TH)
10 mm

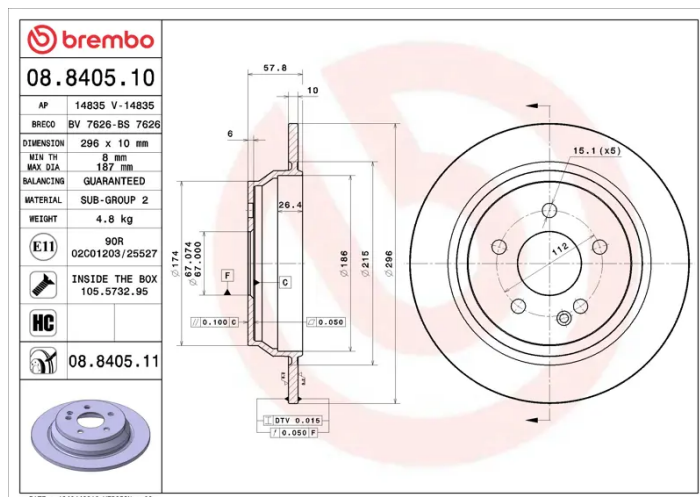
Height (A)
58 mm

Number of holes (C)
5

Brake disc type
Solid

Centering (B)
67 mm

Min. thickness
8 mm



COMPATIBLE VEHICLES

COMPATIBLE OE PART NUMBERS

6364230012	MERCEDES-BENZ
6394230112	MERCEDES-BENZ
A6364230012	MERCEDES-BENZ
A6394230112	MERCEDES-BENZ
A6364230012	MERCEDES-BENZ (FJDA)
A6364230112	MERCEDES-BENZ (FJDA)
A6394230112	MERCEDES-BENZ (FJDA)