



BRAKE DISC XTRA

08.A708.1X

The 08.A708.1X Xtra brake disc is synonymous with reliability

The Brembo Xtra brake disc features holes on the braking surface. The holes are designed to improve the cooling of the braking system, to generate greater fading resistance and grip in the initial stages of braking. The sports look is also enhanced by the presence of the UV paint.

- ✓ Brembo quality
- ✓ ECE-R90 certificate
- ✓ Performance
- ✓ Sports driving
- ✓ Sporty look
- ✓ Anti-corrosion



Technical specifications



EAN code
8020584325148

Axle
Rear

Diameter Ø
284 mm

Thickness (TH)
10 mm

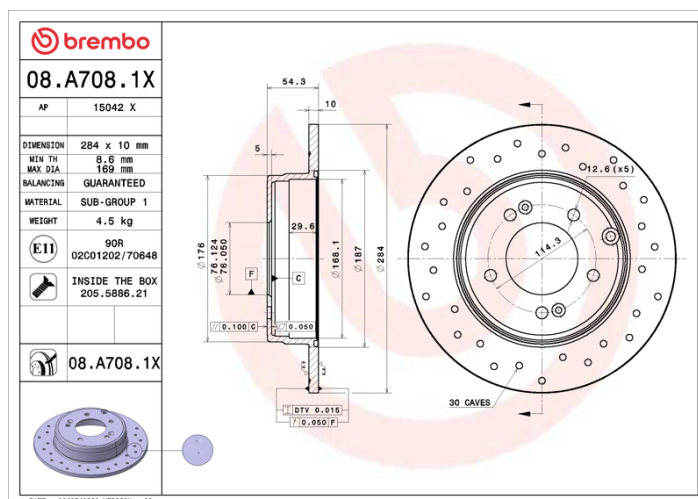
Height (A)
54,3 mm

Number of holes (C)
5

Brake disc type
Solid

Centering (B)
76 mm

Min. thickness
8,6 mm



COMPATIBLE OE PART NUMBERS

584113K100	HYUNDAI
584113K110	HYUNDAI
584113S100	HYUNDAI
5584113K100	HYUNDAI
5584113K110	HYUNDAI
584113S100	HYUNDAI (BEIJING)
584113K100	KIA
584113K150	KIA
584113S100	KIA
58411K110	KIA
584113S100	KIA (DYK)