



BRAKE DISC MAX

09.6879.76

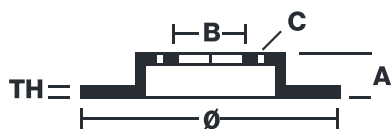
The 09.6879.76 Max brake disc is synonymous with reliability

The Brembo Max brake disc features grooves on the braking surface. The special shape of the grooves generates greater fading resistance and constant renewal of friction material, quickly restoring optimum braking conditions. The UV paint completes the sporty look.

- ✓ Brembo quality
- ✓ ECE-R90 certificate
- ✓ Performance
- ✓ Sports driving
- ✓ Sporty look
- ✓ Anti-corrosion



Technical specifications



EAN code
8020584013564

Axle
Front

Diameter Ø
260 mm

Thickness (TH)
24 mm

Height (A)
53 mm

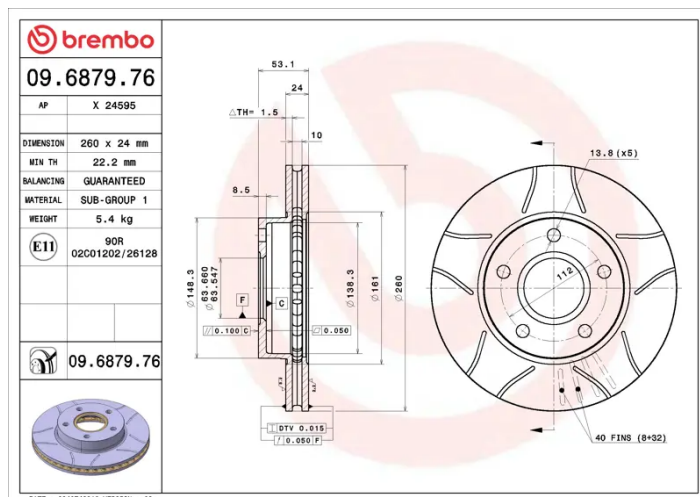
Number of holes (C)
5

Brake disc type
Ventilated

Centering (B)
64 mm

Min. thickness
22,2 mm

Tightening torque
100 Nm



COMPATIBLE OE PART NUMBERS

5022668	FORD
---------	------

5023441	FORD
---------	------

5023444	FORD
---------	------

5027462	FORD
---------	------

5027463	FORD
---------	------

6133552	FORD
---------	------

6158214	FORD
---------	------

6168109	FORD
---------	------

6193694	FORD
---------	------

6450826	FORD
---------	------

93GX1125AA	FORD
------------	------

93GX1125BA	FORD
------------	------