



BRAKE DISC PAINTED

09.A116.11

The 09.A116.11 painted brake disc is synonymous with reliability

The Brembo brake disc with special UV paint treatment guarantees superior corrosion resistance for the product, thanks to the protective coating on the outer edges and on the disc hub. The UV paint not only gives the disc a clean, shiny appearance but is also beneficial for the environment as the water-based UV paint treatment does not require the use of chemical solvents and is a low energy consumption process.

- ✓ OE-equivalent
- ✓ Brembo quality
- ✓ ECE-R90 certificate
- ✓ Safety
- ✓ Anti-corrosion

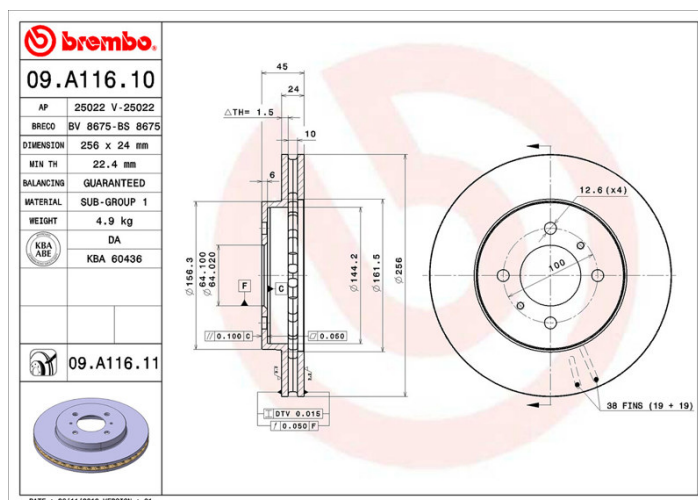


Technical specifications



EAN code 8020584210628	Axle Front	Diameter Ø 256 mm
Thickness (TH) 24 mm	Height (A) 45 mm	Number of holes (C) 4
Brake disc type Ventilated	Centering (B) 64 mm	Min. thickness 22,4 mm

Tightening torque
108 Nm



COMPATIBLE VEHICLES

COMPATIBLE OE PART NUMBERS

MB699284	MITSUBISHI
----------	------------

MB699285	MITSUBISHI
----------	------------

MR449770	MITSUBISHI
----------	------------

MR449771	MITSUBISHI
----------	------------

MB699285	PROTON
----------	--------

MR449771	PROTON
----------	--------
