



BRAKE DISC MAX

09.A905.75

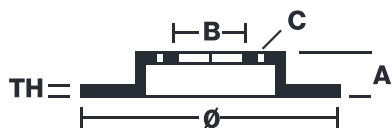
The 09.A905.75 Max brake disc is synonymous with reliability

The Brembo Max brake disc features grooves on the braking surface. The special shape of the grooves generates greater fading resistance and constant renewal of friction material, quickly restoring optimum braking conditions. The UV paint completes the sporty look.

- ✓ Brembo quality
- ✓ ECE-R90 certificate
- ✓ Performance
- ✓ Sports driving
- ✓ Sporty look
- ✓ High carbon
- ✓ Anti-corrosion
- ✓ PVT ventilation



Technical specifications



EAN code
8020584320198

Axle
Front

Diameter Ø
278 mm

Thickness (TH)
25 mm

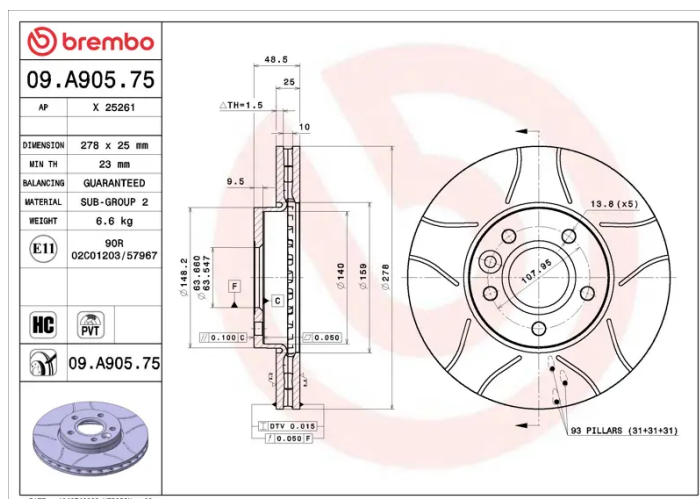
Height (A)
48,5 mm

Number of holes (C)
5

Brake disc type
Ventilated

Centering (B)
64 mm

Min. thickness
23 mm



COMPATIBLE VEHICLES

COMPATIBLE OE PART NUMBERS

1686722	FORD
1686723	FORD
1790221	FORD
AV611125CA	FORD
AV611125DA	FORD
AV611125DB	FORD
BV611125AA	FORD
BV6Z1125A	FORD
BV6Z1125E	FORD
1759454	FORD (CHANGAN)
1843728	FORD (CHANGAN)
BV611125AA	FORD (CHANGAN)
BV611125EA	FORD (CHANGAN)
BV611125EB	FORD (CHANGAN)
BV611125AA	FORD ASIA & OCEANIA
31341642	VOLVO
31362411	VOLVO
313624110	VOLVO
31381374	VOLVO
313813740	VOLVO
31362411	VOLVO (CHANGAN)