



BRAKE DISC PAINTED

09.D939.11

The 09.D939.11 painted brake disc is synonymous with reliability

The Brembo brake disc with special UV paint treatment guarantees superior corrosion resistance for the product, thanks to the protective coating on the outer edges and on the disc hub. The UV paint not only gives the disc a clean, shiny appearance but is also beneficial for the environment as the water-based UV paint treatment does not require the use of chemical solvents and is a low energy consumption process.

- ✓ OE-equivalent
- ✓ Brembo quality
- ✓ ECE-R90 certificate
- ✓ Safety
- ✓ High carbon
- ✓ Anti-corrosion
- ✓ Fastening screws



Technical specifications



EAN code
8020584315767

Axle
Front right

Diameter Ø
360 mm

Thickness (TH)
36 mm

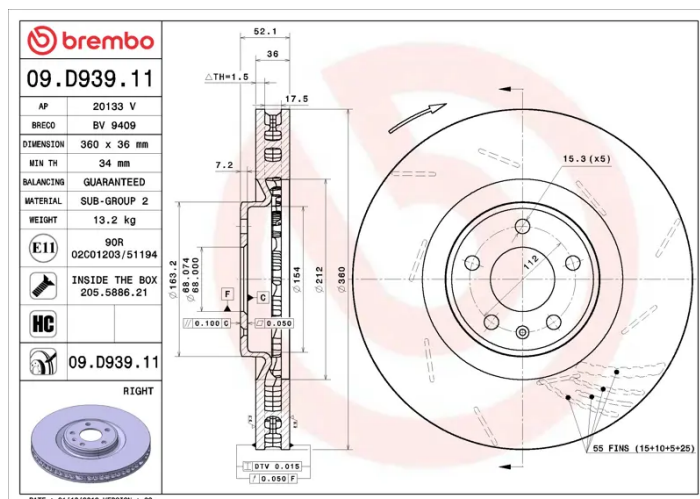
Height (A)
52 mm

Number of holes (C)
5

Brake disc type
Ventilated

Centering (B)
68 mm

Min. thickness
34 mm



COMPATIBLE VEHICLES

COMPATIBLE OE PART NUMBERS

95B615302AA	PORSCHE
-------------	---------

95B615302E	PORSCHE
------------	---------

95B615302G	PORSCHE
------------	---------

95B615302J	PORSCHE
------------	---------
