



BRAKE PAD XTRA CERAMIC P06099NX

Xtra Ceramic brake pad P06099NX belongs to Brembo Cool Line

Brembo Xtra Ceramic brake pads have a specific compound which, beside being copper free, also contains less metal compared to Xtra pads. This feature make Xtra Ceramic more focused on comfort and cleaner rims, thanks to the ceramic friction material, while guaranteeing the top performance proper of the Xtra line. Xtra Ceramic range is fully ECE R90 homologated.

- ✓ OE-equivalent
- ✓ Brembo quality
- ✓ ECE-R90 certificate
- ✓ Safety
- ✓ Performance
- ✓ Dust reduction
- ✓ Comfort

Technical specifications

EAN code
8020584130773

Thickness
20 mm

Width
126 mm

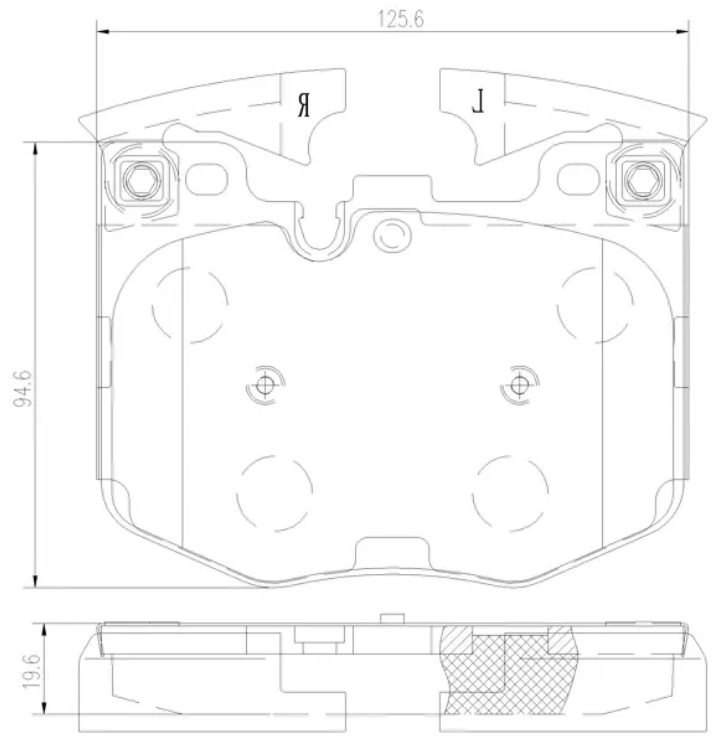
Height
95 mm

Braking system
Brembo

Wear indicator
Prepared for wear indicator

WVA number
22425

Accessories
With counterweights
With anti-squeal shim



4PCS/SET