



# BRAKE PAD NAO

## P30006N

The P30006N NAO brake pad is synonymous with reliability

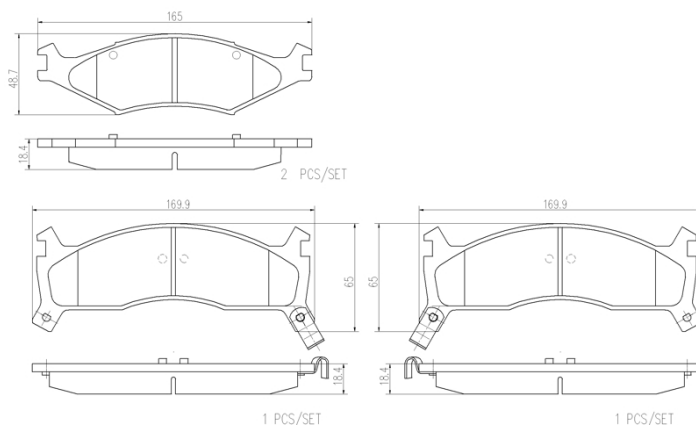
Brembo NAO brake pads stand out for their ultimate braking comfort, reduced friction wear and low dust mission, which makes for cleaner rims and reduced maintenance requirements. The advanced friction material in keeping with the strictest environmental standards is the main distinguishing feature of NAO compounds.

- ✓ OE-equivalent
- ✓ Brembo quality
- ✓ Safety
- ✓ Comfort
- ✓ Durability
- ✓ Dust reduction
- ✓ With accessories



### Technical specifications

EAN code <b>8020584086018</b>	Axle <b>Front</b>	Thickness <b>18 mm</b>
Width <b>165 mm</b>	Height <b>49 mm</b>	Braking system <b>Sangshin</b>
Wear indicator <b>Acoustic</b>	WVA number <b>21894,21892,21893</b>	Accessories <b>With anti-squeal shim</b>



COMPATIBLE VEHICLES

## COMPATIBLE OE PART NUMBERS

OK011332372	KIA
-------------	-----

---

OK0113323Z	KIA
------------	-----

---

OK011332372	KIA
-------------	-----

---

OK0113323Z	KIA
------------	-----

---