



BRAKE PAD NAO P44013N

The P44013N NAO brake pad is synonymous with reliability

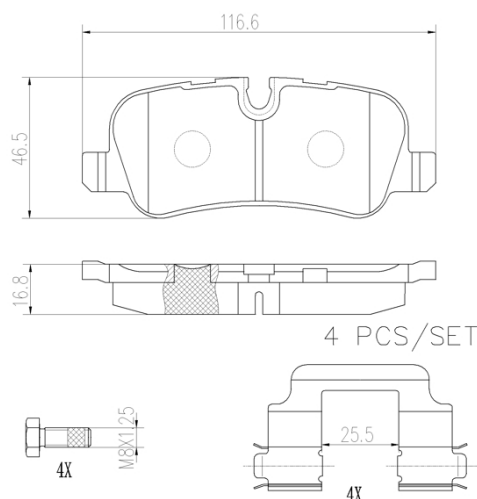
Brembo NAO brake pads stand out for their ultimate braking comfort, reduced friction wear and low dust mission, which makes for cleaner rims and reduced maintenance requirements. The advanced friction material in keeping with the strictest environmental standards is the main distinguishing feature of NAO compounds.

- ✓ OE-equivalent
- ✓ Brembo quality
- ✓ Safety
- ✓ Comfort
- ✓ Durability
- ✓ Dust reduction
- ✓ With accessories



Technical specifications

EAN code 8020584112823	Axle Rear	Thickness 17 mm
Width 117 mm	Height 47 mm	Braking system Lucas
Wear indicator Prepared for wear indicator	WVA number 24192	Accessories With brake caliper bolts With accessories With anti-squeal shim



COMPATIBLE VEHICLES

COMPATIBLE OE PART NUMBERS

LR010664 LAND ROVER

LR016808 LAND ROVER

LR019627 LAND ROVER

LR021316 LAND ROVER

LR032903 LAND ROVER

LR055454 LAND ROVER

LR134696 LAND ROVER

SFP500020 LAND ROVER

SFP500021 LAND ROVER

SFP500022 LAND ROVER

SFP500040 LAND ROVER

SFP500140 LAND ROVER
