



# BRAKE PAD NAO P44022N

The P44022N NAO brake pad is synonymous with reliability

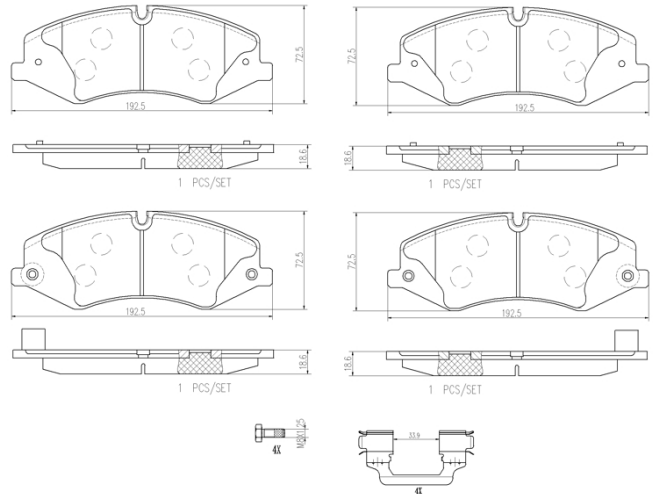
Brembo NAO brake pads stand out for their ultimate braking comfort, reduced friction wear and low dust mission, which makes for cleaner rims and reduced maintenance requirements. The advanced friction material in keeping with the strictest environmental standards is the main distinguishing feature of NAO compounds.

- ✓ OE-equivalent
- ✓ Brembo quality
- ✓ Safety
- ✓ Comfort
- ✓ Durability
- ✓ Dust reduction
- ✓ With accessories



## Technical specifications

EAN code <b>8020584081884</b>	Axle <b>Front</b>	Thickness <b>19 mm</b>
Width <b>193 mm</b>	Height <b>73 mm</b>	Braking system <b>TRW</b>
Wear indicator <b>Prepared for wear indicator</b>	WVA number <b>25022,25203,25204,25021</b>	Accessories <b>With accessories</b> <b>With anti-squeal shim</b> <b>With brake caliper bolts</b>



**COMPATIBLE VEHICLES**

## COMPATIBLE OE PART NUMBERS

LR021253 LAND ROVER

---

LR026220 LAND ROVER

---

LR032063 LAND ROVER

---

LR047859 LAND ROVER

---

LR051626 LAND ROVER

---

LR057725 LAND ROVER

---

LR101981 LAND ROVER

---

LR134700 LAND ROVER

---

LR140477 LAND ROVER

---

LR140729 LAND ROVER

---

LR161940 LAND ROVER

---