



# BRAKE PAD PRIME CERAMIC P50017N

**The P50017N NAO brake pad is  
synonymous with reliability**

Brembo NAO brake pads stand out for their ultimate braking comfort, reduced friction wear and low dust mission, which makes for cleaner rims and reduced maintenance requirements. The advanced friction material in keeping with the strictest environmental standards is the main distinguishing feature of NAO compounds.

- ✓ OE-equivalent
- ✓ Brembo quality
- ✓ Safety
- ✓ Comfort
- ✓ Durability
- ✓ Dust reduction
- ✓ With accessories



## Technical specifications

EAN code  
**8020584098363**

Axle  
**Rear**

Thickness  
**16 mm**

Width  
**62 mm**

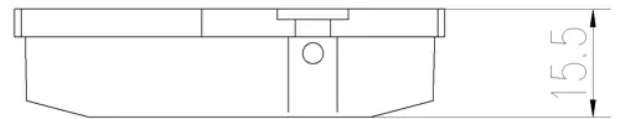
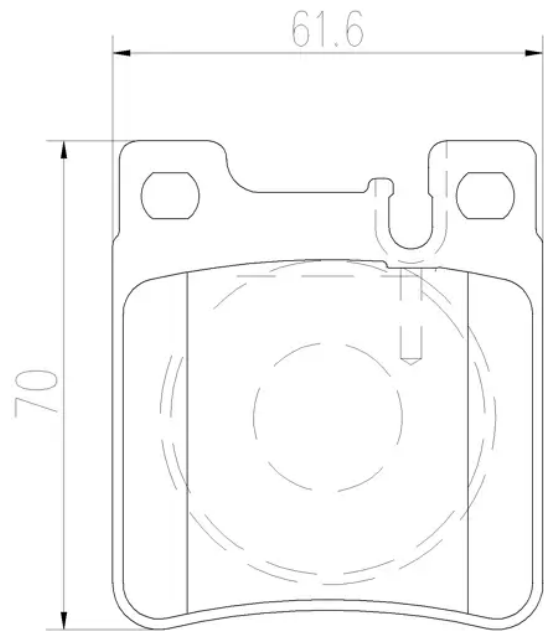
Height  
**70 mm**

Braking system  
**Teves**

Wear indicator  
**Prepared for wear indicator**

WVA number  
**21305**

Accessories  
**With anti-squeal shim**



4 PCS/SET

COMPATIBLE VEHICLES

## COMPATIBLE OE PART NUMBERS

05143633AA	CHRYSLER
05143633AB	CHRYSLER
5143633AA	CHRYSLER
5143633AB	CHRYSLER
K05143633AA	CHRYSLER
K05143633AB	CHRYSLER
0024200520	MERCEDES-BENZ
0024201620	MERCEDES-BENZ
002420162005	MERCEDES-BENZ
0024201820	MERCEDES-BENZ
0024204620	MERCEDES-BENZ
0024208020	MERCEDES-BENZ
0034203020	MERCEDES-BENZ
003420302037	MERCEDES-BENZ
003420302041	MERCEDES-BENZ
0034204820	MERCEDES-BENZ
0034204920	MERCEDES-BENZ
0044201620	MERCEDES-BENZ
004420162041	MERCEDES-BENZ
0044209220	MERCEDES-BENZ
0044209320	MERCEDES-BENZ
004420932041	MERCEDES-BENZ
005420052041	MERCEDES-BENZ
A0024200520	MERCEDES-BENZ
A0024201620	MERCEDES-BENZ
A002420162005	MERCEDES-BENZ
A0024201820	MERCEDES-BENZ
A0024204620	MERCEDES-BENZ
A0024208020	MERCEDES-BENZ
A0034203020	MERCEDES-BENZ
A003420302037	MERCEDES-BENZ
A0034204820	MERCEDES-BENZ
A0034204920	MERCEDES-BENZ
A0044201620	MERCEDES-BENZ
A004420162021	MERCEDES-BENZ
A0044209220	MERCEDES-BENZ
A0044209320	MERCEDES-BENZ