



BRAKE PAD PRIME CERAMIC P59091N

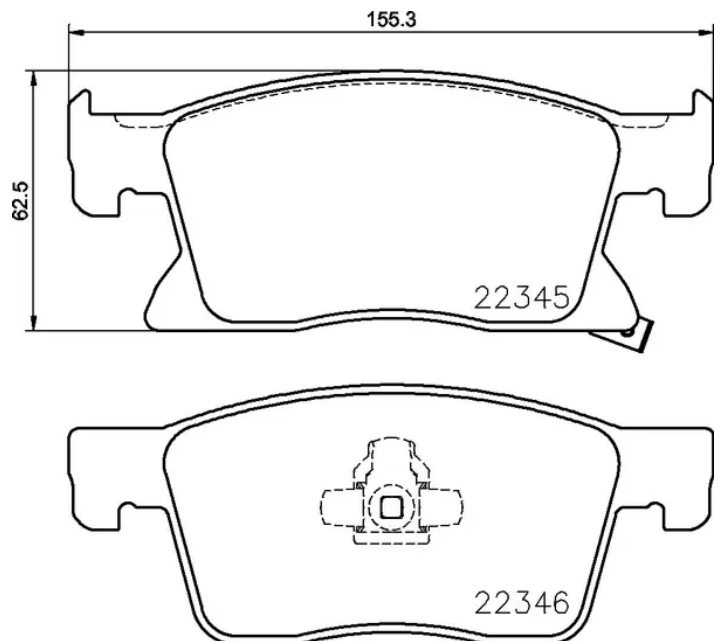
The P59091N NAO brake pad is
synonymous with reliability

Brembo NAO brake pads stand out for their ultimate braking comfort, reduced friction wear and low dust mission, which makes for cleaner rims and reduced maintenance requirements. The advanced friction material in keeping with the strictest environmental standards is the main distinguishing feature of NAO compounds.

- ✓ OE-equivalent
- ✓ Brembo quality
- ✓ Safety
- ✓ Comfort
- ✓ Durability
- ✓ Dust reduction
- ✓ With accessories

Technical specifications

EAN code	Axle	Thickness
8020584114063	Front	19 mm
Width	Height	Braking system
155 mm	62 mm	Teves
Wear indicator	WVA number	Accessories
Acoustic	22345,22346	With piston clip With accessories With anti-squeal shim



COMPATIBLE VEHICLES

COMPATIBLE OE PART NUMBERS

13478301	OPEL
----------	------

95526567	OPEL
----------	------

13478301	VAUXHALL
----------	----------

95526567	VAUXHALL
----------	----------
