



BRAKE PAD PRIME CERAMIC P61057N

The P61057N NAO brake pad is synonymous with reliability

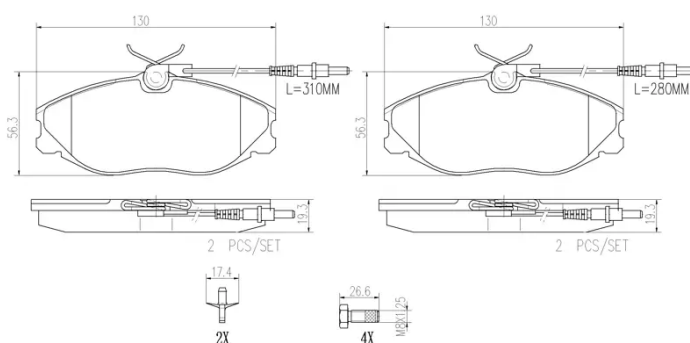
Brembo NAO brake pads stand out for their ultimate braking comfort, reduced friction wear and low dust mission, which makes for cleaner rims and reduced maintenance requirements. The advanced friction material in keeping with the strictest environmental standards is the main distinguishing feature of NAO compounds.

- ✓ OE-equivalent
- ✓ Brembo quality
- ✓ Safety
- ✓ Comfort
- ✓ Durability
- ✓ Dust reduction
- ✓ With accessories



Technical specifications

EAN code 8020584099278	Axle Front	Thickness 19 mm
Width 130 mm	Height 56 mm	Braking system Lucas
Wear indicator Electric	WVA number 21674,21886	Accessories With accessories With anti-squeal shim With brake caliper bolts



COMPATIBLE VEHICLES

COMPATIBLE OE PART NUMBERS

1617254180	CITROËN
------------	---------

425132	CITROËN
--------	---------

425143	CITROËN
--------	---------

425144	CITROËN
--------	---------

425160	CITROËN
--------	---------

425206	CITROËN
--------	---------

E172042	CITROËN
---------	---------

E172058	CITROËN
---------	---------

E172116	CITROËN
---------	---------

E172522	CITROËN
---------	---------

E172554	CITROËN
---------	---------

1617254180	PEUGEOT
------------	---------

425132	PEUGEOT
--------	---------

425143	PEUGEOT
--------	---------

425144	PEUGEOT
--------	---------

425160	PEUGEOT
--------	---------

425206	PEUGEOT
--------	---------

E172042	PEUGEOT
---------	---------

E172058	PEUGEOT
---------	---------

E172116	PEUGEOT
---------	---------

E172522	PEUGEOT
---------	---------

E172554	PEUGEOT
---------	---------