



BRAKE PAD

P 15 005

The P 15 005 brake pad is synonymous with reliability

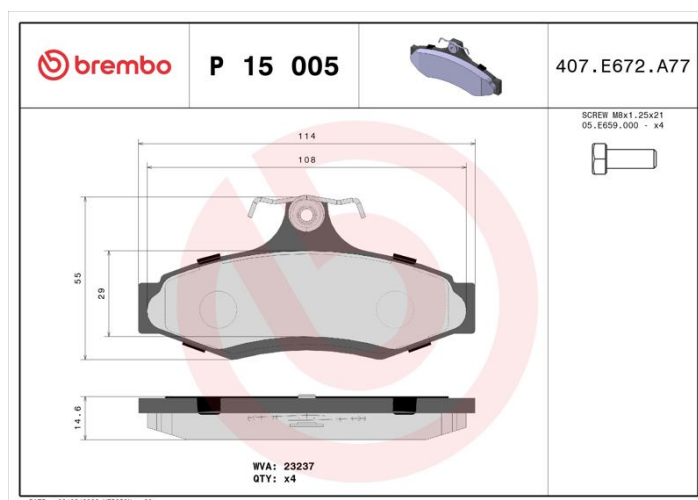
The Brembo brake pad guarantees ultimate safety when braking thanks to the use of more than 100 different compounds, designed according to the type of vehicle and use. Stopping distances reduced to a minimum, maximum driving comfort and silent operation are the most important features of Brembo materials. Brembo brake pads are supplied together with an extensive range of accessories and assembly kits for professional-standard installation.

- ✓ OE-equivalent
- ✓ Brembo quality
- ✓ ECE-R90 certificate
- ✓ Safety
- ✓ Performance
- ✓ Comfort



Technical specifications

EAN code 8020584050583	Axle Rear	Thickness 15 mm
Width 114 mm	Height 55 mm	Braking system Lucas
Wear indicator Without	WVA number 23237	Accessories With brake caliper bolts



COMPATIBLE VEHICLES

COMPATIBLE OE PART NUMBERS

96391892	CHEVROLET
----------	-----------

AW346513	CHEVROLET
----------	-----------

54521006	CHEVROLET
----------	-----------

96245179	DAEWOO
----------	--------

96253368	DAEWOO
----------	--------

54521001	DAEWOO
----------	--------

54521006	DAEWOO
----------	--------