



BRAKE PAD

P 37 016

The P 37 016 brake pad is synonymous with reliability

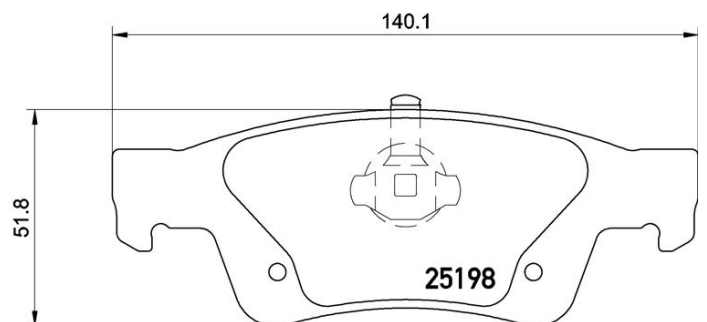
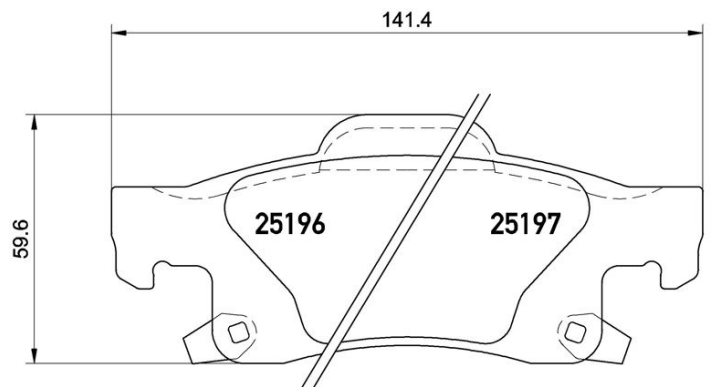
The Brembo brake pad guarantees ultimate safety when braking thanks to the use of more than 100 different compounds, designed according to the type of vehicle and use. Stopping distances reduced to a minimum, maximum driving comfort and silent operation are the most important features of Brembo materials. Brembo brake pads are supplied together with an extensive range of accessories and assembly kits for professional-standard installation.

- ✓ OE-equivalent
- ✓ Brembo quality
- ✓ ECE-R90 certificate
- ✓ Safety
- ✓ Performance
- ✓ Comfort



Technical specifications

EAN code	Axle	Thickness
8020584109533	Rear	18 mm
Width	Height	Braking system
140 mm	52 mm	Teves
Wear indicator	WVA number	Accessories
Acoustic	25196,25197,25198	With piston clip



COMPATIBLE OE PART NUMBERS

V2012386AA	DODGE
------------	-------

2AMV4386AA	JEEP
------------	------

2AMV4386AB	JEEP
------------	------

2AMV4386AC	JEEP
------------	------

68052386AA	JEEP
------------	------

68052386AC	JEEP
------------	------

68052387AA	JEEP
------------	------

68516694AB	JEEP
------------	------

K68052386AA	JEEP
-------------	------

K68052387AA	JEEP
-------------	------
