



BRAKE PAD

P 49 036

The P 49 036 brake pad is synonymous with reliability

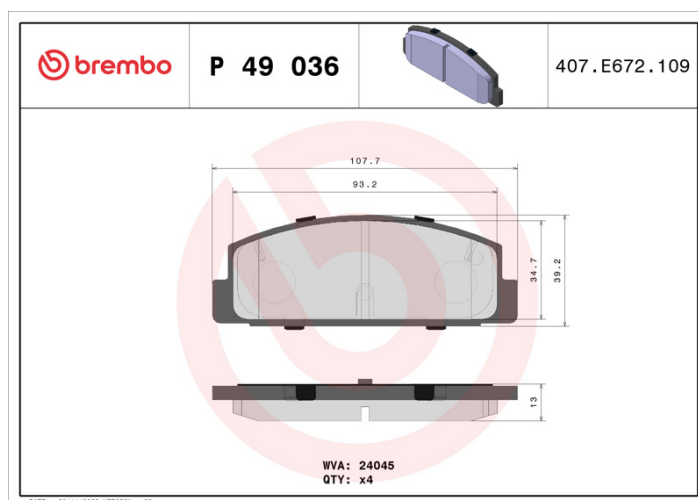
The Brembo brake pad guarantees ultimate safety when braking thanks to the use of more than 100 different compounds, designed according to the type of vehicle and use. Stopping distances reduced to a minimum, maximum driving comfort and silent operation are the most important features of Brembo materials. Brembo brake pads are supplied together with an extensive range of accessories and assembly kits for professional-standard installation.

- ✓ OE-equivalent
- ✓ Brembo quality
- ✓ ECE-R90 certificate
- ✓ Safety
- ✓ Performance
- ✓ Comfort



Technical specifications

EAN code	Axle	Thickness
8020584060964	Rear	13 mm
Width	Height	Braking system
108 mm	40 mm	Akebono
Wear indicator	WVA number	
Without	24045	



COMPATIBLE VEHICLES

COMPATIBLE OE PART NUMBERS

GJYA2648ZH	FAW
GGYB2643Z	MAZDA
GGYM2643Z	MAZDA
GGYM2648Z	MAZDA
GGYM2648Z9C	MAZDA
GGYM2648ZA9C	MAZDA
GJYA2643Z	MAZDA
GJYB2643Z	MAZDA
GJYB2643ZA	MAZDA
GJYB2648Z	MAZDA
GJYB2648Z9C	MAZDA
GJYB2648ZA	MAZDA
GKYA2643Z	MAZDA
GKYA2648Z	MAZDA