



BRAKE PAD

P 50 011

The P 50 011 brake pad is synonymous with reliability



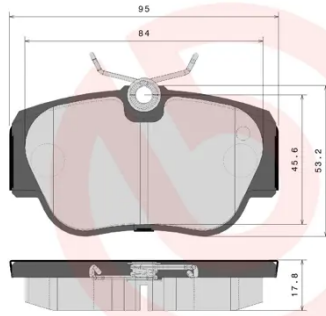

The Brembo brake pad guarantees ultimate safety when braking thanks to the use of more than 100 different compounds, designed according to the type of vehicle and use. Stopping distances reduced to a minimum, maximum driving comfort and silent operation are the most important features of Brembo materials. Brembo brake pads are supplied together with an extensive range of accessories and assembly kits for professional-standard installation.

- ✓ OE-equivalent
- ✓ Brembo quality
- ✓ ECE-R90 certificate
- ✓ Safety
- ✓ Performance
- ✓ Comfort
- ✓ With accessories



Technical specifications

EAN code 8020584053836	Axle Front	Thickness 18 mm
Width 95 mm	Height 53 mm	Braking system Lucas
Wear indicator Prepared for wear indicator	WVA number 21055	Accessories With brake caliper bolts With anti-squeal shim With accessories

	P 50 011		407.E672.114
		SCREW M8x1,25x21 05.E659.000 - x2 	
WVA: 21055 QTY: x4			
<small>DATE : 22/11/2023 VERSION : 00</small>			

COMPATIBLE VEHICLES

COMPATIBLE OE PART NUMBERS

0004208920 MERCEDES-BENZ

0004209120 MERCEDES-BENZ

0014201020 MERCEDES-BENZ

0014208120 MERCEDES-BENZ

0014209620 MERCEDES-BENZ

0024200220 MERCEDES-BENZ

A0004208920 MERCEDES-BENZ

A0004209120 MERCEDES-BENZ

A0014201020 MERCEDES-BENZ

A0014208120 MERCEDES-BENZ

A0014209620 MERCEDES-BENZ

A0024200220 MERCEDES-BENZ
