



BRAKE PAD

P 50 150G

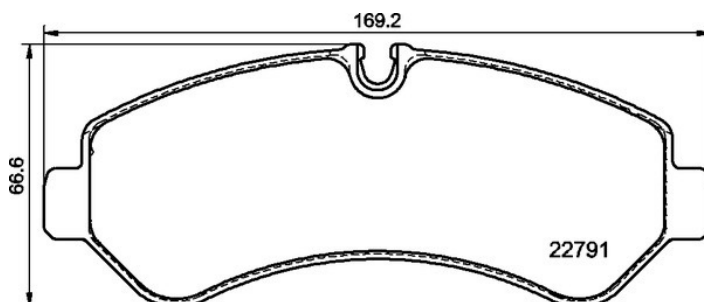
The P 50 150G brake pad is synonymous with reliability

The Brembo brake pad guarantees ultimate safety when braking thanks to the use of more than 100 different compounds, designed according to the type of vehicle and use. Stopping distances reduced to a minimum, maximum driving comfort and silent operation are the most important features of Brembo materials. Brembo brake pads are supplied together with an extensive range of accessories and assembly kits for professional-standard installation.

- ✓ OE-equivalent
- ✓ Brembo quality
- ✓ ECE-R90 certificate
- ✓ Safety
- ✓ Performance
- ✓ Comfort

Technical specifications

EAN code	Axle	Thickness
8020584125397	Rear	21 mm
Width	Height	Braking system
169 mm	67 mm	Brembo
Wear indicator	WVA number	
Prepared for wear indicator	22791	



COMPATIBLE VEHICLES