

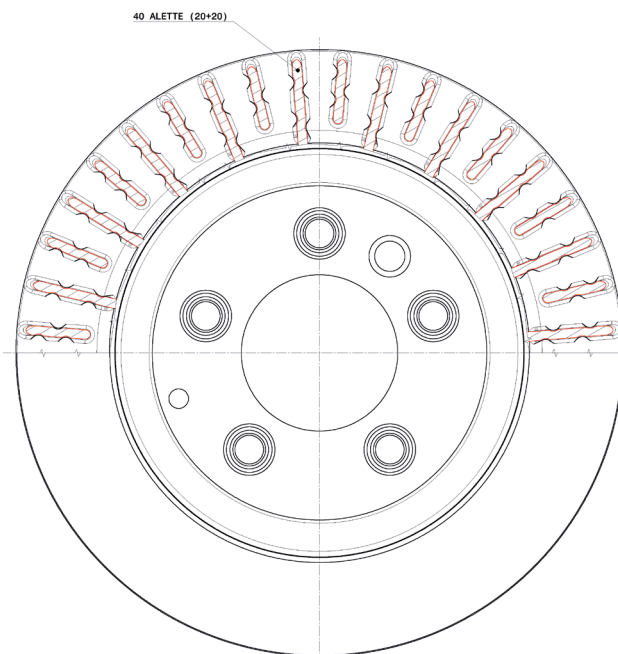
09.A056.11 SUPERSEDED BY 09.C884.11

The reference **09.A056.11** is replaced by **09.C884.11** by modifying the ventilation chamber.

The **OES AUDI - VOLKSWAGEN** corresponding to the new Brembo reference are:
7L6615601D, 7L6615601J, 7L8615601C, 7L8615601G.

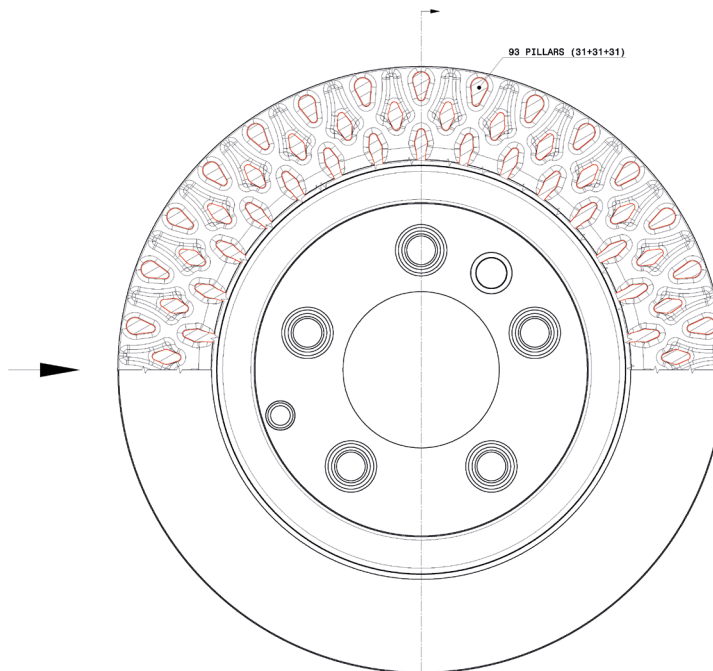
The **OES PORSCHE** corresponding to the new Brembo reference are:
95535240130, 95535240131.

09.A056.11



BV 8745
25136 V

09.C884.11



BV 9197
25587 V

